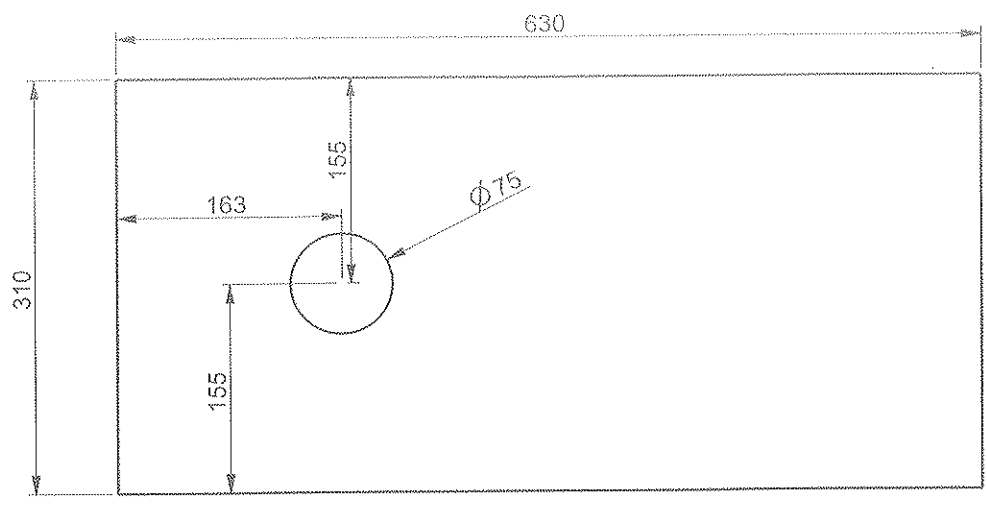
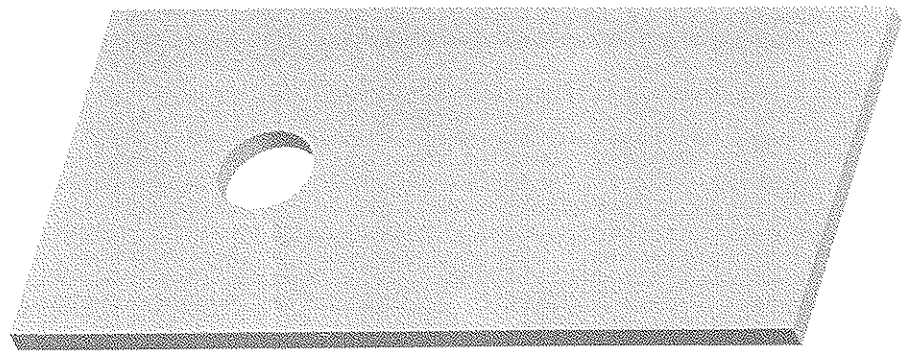


PART NO	REV
PK-WG0097-AA	

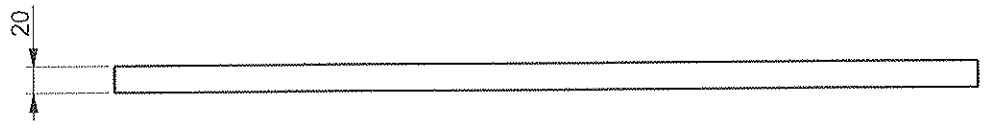


PLAN



SCALE 0,250

MATING PARTS



ELEVATION

NOTES:
 1. ALL DIMENSIONS ARE IN MM.
 2. PART SHOULD BE FREE FROM BURRS & SHARP EDGES.
 3. DO NOT MEASURE FROM THE DRAWING.

REV	DESCRIPTION OF CHANGE	LOC	BY	E.N.	DATE						
ALL DIMENSIONS ARE IN MM		GENERAL TOLERANCES				ALL RIGHTS RESERVED MAYA APPLIANCES (P) LTD, CHENNAI-97, INDIA.					
DIMENSIONS		0.5 6	6 30	30 120	120 400		400 1000				
TOLERANCES ±		0.1	0.2	0.3	0.4	0.8	MATERIAL	EPS	GRADE		
ANGULAR TOLERANCE- ± 1/2°		CONCENTRICITY- Ø 0.1			COLOUR		FINISH				
REFERENCE		* CRITICAL DIMENSIONS.			PART NO : PK-WG0097-AA		REV				
ASSEMBLY		DENSITY (g/mm ³)			DRAWN BY		DATE		24-11-20		
MODEL		MASS (kg)			CHECKED BY		DATE				
DO NOT MEASURE FROM DRAWING		THIRD ANGLE PROJECTION			APPD BY		DATE				
SCALE	TITLE	EPS BUFFER PLAIN L 630 X W 310 X T 20 MM WITH DIA 75MM CUT					SHEET SIZE	A3	SHEET OF	1 OF 1	