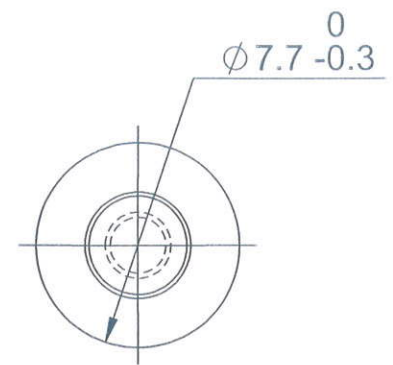


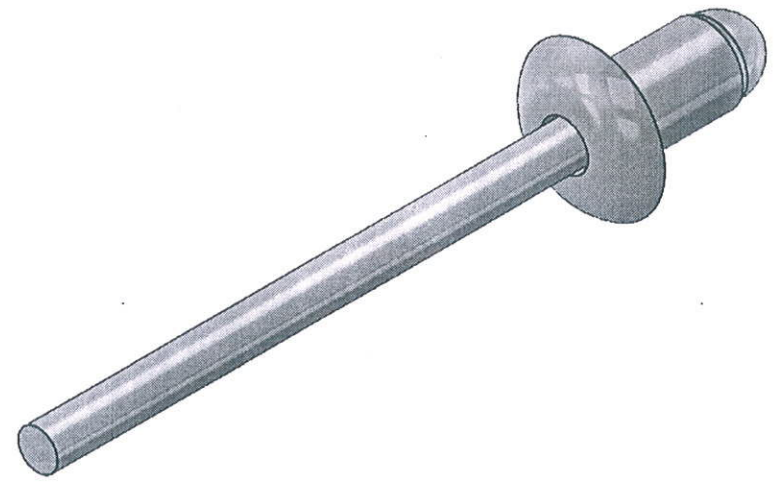
PART NO	REV
FS-CI0222-AA	A



FRONT VIEW



SIDE VIEW



ISOMETRIC VIEW

A	DRAWING RELEASE	--	THIRUPPATHI	--	07/09/2023
REV	DESCRIPTION OF CHANGE	LOC	BY	E.N.	DATE
ALL DIMENSIONS ARE IN "mm"		GENERAL TOLERANCES		ALL RIGHTS RESERVED MAYA APPLIANCES(P) LTD, CHENNAI-97 INDIA.	
DIMENSIONS		0.5 6	6 30	30 120	120 400 400 1000
TOLERANCES ±		0.1	0.2	0.3	0.4 0.8
ANGULAR TOLERANCES ±1/2°		CONCENTRICITY- φ 0.1		MATERIAL	ALUMINIUM GRADE
REFERENCE		--	* CRITICAL DIMENSIONS	COLOUR	BLACK FINISH GLOSSY
ASSEMBLY		MG	DENSITY (g/mm ³)	PART NO:	FS-CI0222-AA REV A
MODEL		-	MASS (Kg)	DRAWN BY	THIRUPPATHI DATE 07/09/2023
NOTES: ALL DIMENSION ARE IN "mm" DO NOT MEASURE FROM DRAWING REMOVE BURRS & SHARP EDGES		THIRD ANGLE PROJECTION		CHECKED BY	DATE 28-12-23
SCALE:2:1		TITLE		APPD BY	DATE 18/1/24
		TUBLAR REVIT M4 x 6MM		SHEET SIZE	A4 SHEET 1 OF 1