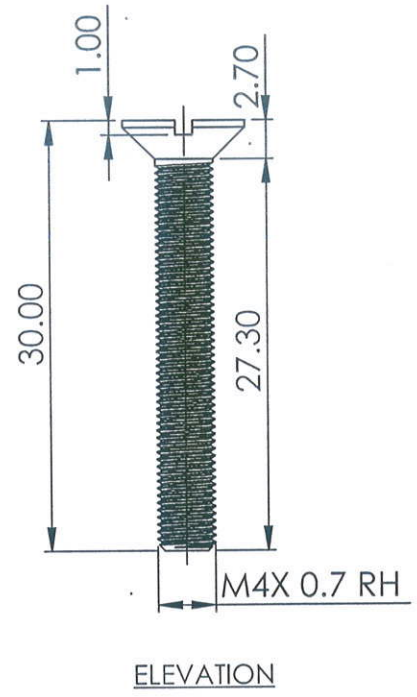
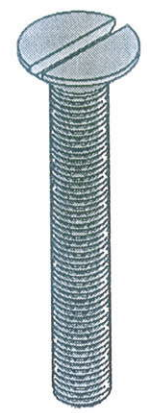
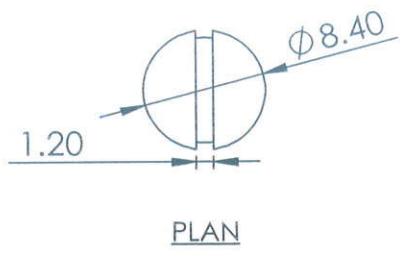


PART NO	REV
FS-CI0212-AA	A



A	DRAWING RELEASE	--	ANAND	--	6-9-23
REV	DESCRIPTION OF CHANGE	LOC	BY	E.N.	DATE

ALL DIMENSIONS ARE IN "mm"		GENERAL TOLERANCES				ALL RIGHTS RESERVED MAYA APPLIANCES(P) LTD, CHENNAI-97 INDIA.					
DIMENSIONS		0.5/6	6/30	30/120	120/400					400/1000	
TOLERANCES ±		0.1	0.2	0.3	0.4	0.8	MATERIAL	SS	GRADE	304	
ANGULAR TOLERANCES ±1/2		CONCENTRICITY- φ 0.1			COLOUR	NATURAL	FINISH	POLISHED			
REFERENCE	--	* CRITICAL DIMENSIONS			PART NO: FS-CI0212-AA			REV	A		
ASSEMBLY	MG	DENSITY (g/mm ³)			DRAWN BY		ANAND	DATE		6-9-23	
MODEL	--	MASS (Kg)			CHECKED BY		<i>fs-g</i>	DATE		<i>28-12-23</i>	
DO NOT MEASURE FROM DRAWING REMOVE BURRS & SHARP EDGES		THIRD ANGLE PROJECTION -			APPD BY		<i>Arshay</i>	DATE		<i>18/1/24</i>	
SCALE:1:1	TITLE	SCREW CSK M4 X 30 MM SS						SHEET SIZE		A4	SHEET 1 OF 1