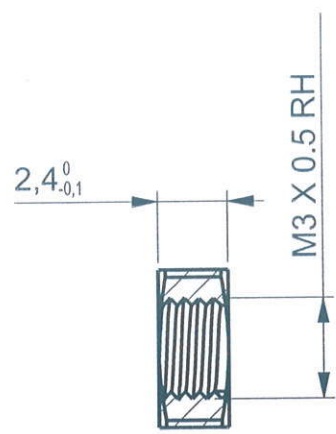


1

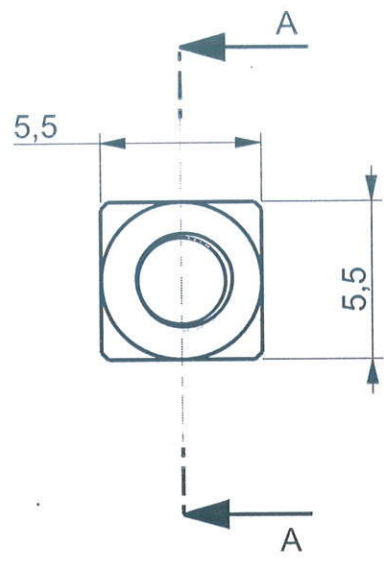
2

3

PART NO	REV
FS-CI0210-AA	AA



SECTION A-A



SIDE VIEW

MATING PARTS

PLATING THICK (50-60 MICRON)

NOTES

- 1. ALL DIMENSIONS ARE IN MM.
- 2. PART SHOULD BE FREE FROM BURRS & SHARP EDGES.
- 3. DO NOT MEASURE FROM THE DRAWING.

AA	DRAWING RELEASE	--	KRS	--	
REV	DESCRIPTION OF CHANGE	LOC	BY	E.N.	DATE

ALL DIMENSIONS ARE IN MM	GENERAL TOLERANCES					ALL RIGHTS RESERVED MAYA APPLIANCES (P) LTD, CHENNAI-97, INDIA.			
DIMENSIONS	0.5/6	6/30	30/120	120/400	400/1000	MATERIAL	BRASS	GRADE	--
TOLERANCES ±	0.1	0.2	0.3	0.4	0.8	COLOUR	WHITE	FINISH	NICKEL PLATED

REFERENCE	--	* CRITICAL DIMENSIONS.		PART NO : FS-CI0210-AA		REV	A
ASSEMBLY	COMMON	DENSITY (g/mm ³)	--	DRAWN BY		DATE	
MODEL	--	MASS (kg)	--	CHECKED BY	<i>A-s-hg</i>	DATE	28-12-23

DO NOT MEASURE FROM DRAWING		THIRD ANGLE PROJECTION		APPD BY	<i>Aschay</i>	DATE	18/1/24
SCALE	4.000	TITLE	NUT M3 SQUARE 5.5 X 5.5 MM BRASS			SHEET SIZE	A4
						SHEET OF	1 OF 1

1

2

3