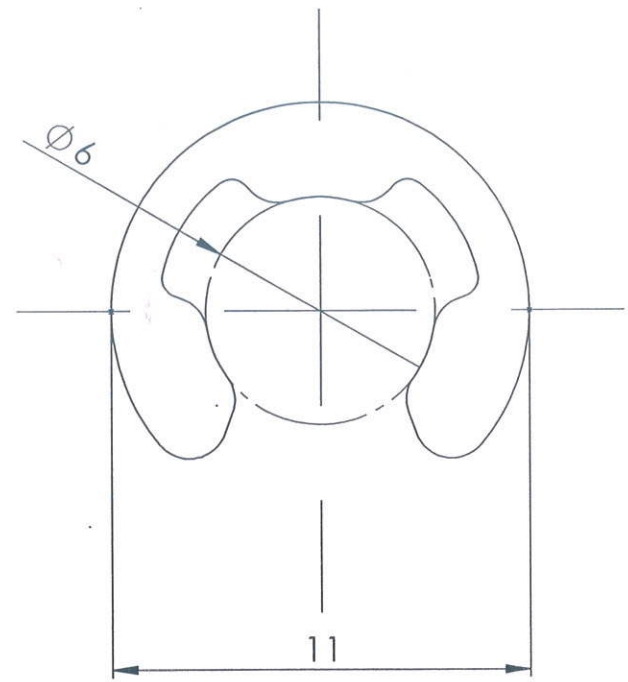
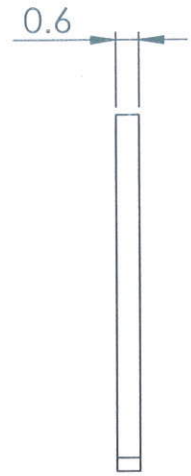


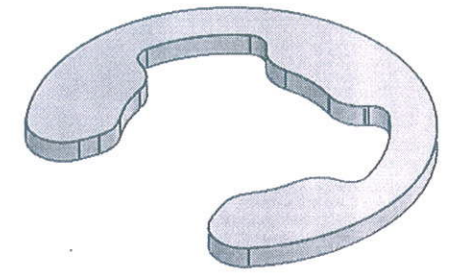
PART NO	REV
FS-CI0199-AA	A



FRONT VIEW



SIDE VIEW



ISOMETRIC VIEW

A	DRAWING RELEASE	--	D.VIGNESH	--	07-10-2021							
REV	DESCRIPTION OF CHANGE	LOC	BY	E.N.	DATE							
ALL DIMENSIONS ARE IN "mm"		GENERAL TOLERANCES				ALL RIGHTS RESERVED MAYA APPLIANCES(P) LTD, CHENNAI-97 INDIA.						
DIMENSIONS		0.5 6	6 30	30 120	120 400	400 1000	MATERIAL		SS	GRADE	--	
TOLERANCES ±		0.1	0.2	0.3	0.4	0.8	COLOUR		NATURAL	FINISH	--	
ANGULAR TOLERANCES ±1°		CONCENTRICITY-φ 0.1				CONCENTRICITY-φ 0.1		COLOUR		NATURAL	FINISH	--
REFERENCE	--	* CRITICAL DIMENSIONS				PART NO: FS-CI0199-AA		REV	A			
ASSEMBLY	G.S	DENSITY (g/mm ³)		--		DRAWN BY		D.VIGNESH	DATE	07-10-2021		
MODEL	--	MASS (kg)		--		CHECKED BY		<i>Ashwin</i>	DATE	28-12-21		
NOTES: ALL DIMENSION ARE IN "mm" DO NOT MEASURE FROM DRAWING REMOVE BURRS & SHARP EDGES		THIRD ANGLE PROJECTION				APPD BY		<i>Ashwin</i>	DATE	18/1/24		
SCALE:5:1	TITLE	E-CIRCLIP SS NO-5						SHEET SIZE		A4		
										SHEET 1 OF 1		