

1

2

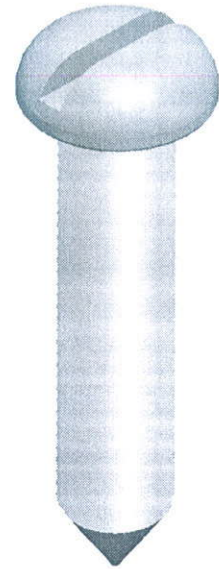
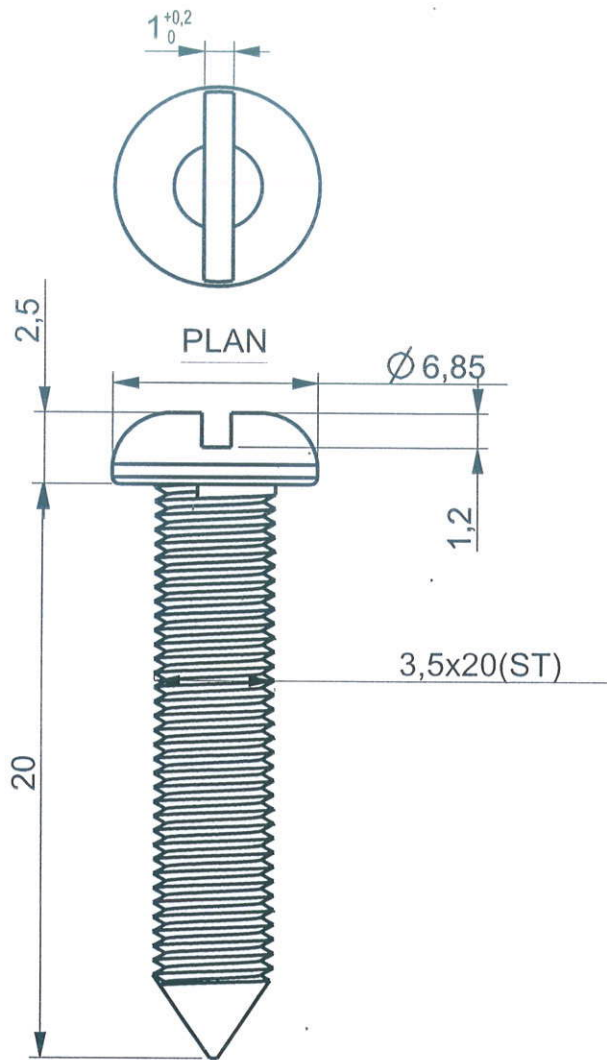
3

PART NO	REV
FS-CI0190-AA	A

A

B

C



A

B

C

MATING PARTS

ELEVATION

NOTES

1. ALL DIMENSIONS ARE IN MM.
2. PART SHOULD BE FREE FROM BURRS & SHARP EDGES.
3. DO NOT MEASURE FROM THE DRAWING.

REV	DESCRIPTION OF CHANGE	LOC	BY	E.N.	DATE

ALL DIMENSIONS ARE IN MM

GENERAL TOLERANCES

ALL RIGHTS RESERVED

MAYA APPLIANCES (P) LTD,
CHENNAI-97,
INDIA.

DIMENSIONS

$\frac{0.5}{6}$	$\frac{6}{30}$	$\frac{30}{120}$	$\frac{120}{400}$	$\frac{400}{1000}$
-----------------	----------------	------------------	-------------------	--------------------

TOLERANCES \pm

0.1	0.2	0.3	0.4	0.8
-----	-----	-----	-----	-----

MATERIAL

SS

GRADE

304

ANGULAR TOLERANCE- $\pm 1/2^\circ$ CONCENTRICITY- $\phi 0.1$

COLOUR

NATURAL

FINISH

POLISHED

REFERENCE

* CRITICAL DIMENSIONS.

PART NO : FS-CI0190-AA

REV A

ASSEMBLY

DENSITY
(g/mm³)

DRAWN BY

DATE

8-11-20

MODEL

MASS
(kg)

CHECKED BY

DATE

28-12-23

DO NOT MEASURE FROM DRAWING

THIRD ANGLE PROJECTION



APPD BY

DATE

18/1/24

SCALE

TITLE

SCREW SS ST 3.5X20MM(PAN WITH MINUS HEAD)

SHEET SIZE
A4SHEET OF
1 OF 1

D

E

D

E

1

2

3