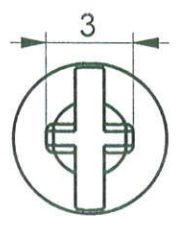
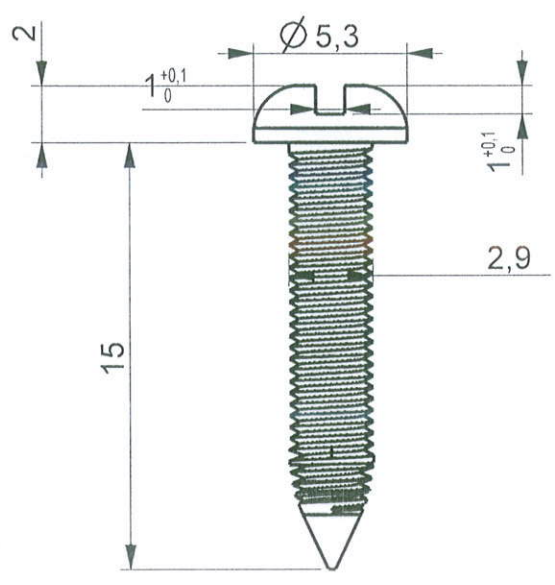
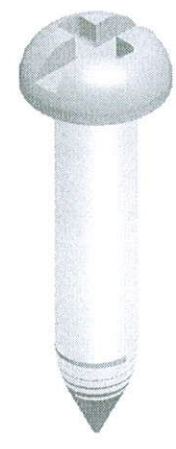


PART NO	REV
FS-CI0187-AA	



PLAN



ELEVATION

MATING PARTS

- NOTES
1. ALL DIMENSIONS ARE IN MM.
  2. PART SHOULD BE FREE FROM BURRS & SHARP EDGES.
  3. DO NOT MEASURE FROM THE DRAWING.

REV	DESCRIPTION OF CHANGE	LOC	BY	E.N.	DATE

ALL DIMENSIONS ARE IN MM	GENERAL TOLERANCES					ALL RIGHTS RESERVED <b>MAYA APPLIANCES (P) LTD,</b> CHENNAI-97, INDIA.			
DIMENSIONS	$\frac{0.5}{6}$	$\frac{6}{30}$	$\frac{30}{120}$	$\frac{120}{400}$	$\frac{400}{1000}$	MATERIAL	SS	GRADE	304
TOLERANCES ±	0.1	0.2	0.3	0.4	0.8	COLOUR		FINISH	
ANGULAR TOLERANCE- ±1/2°	CONCENTRICITY- Ø0.1								

REFERENCE	* CRITICAL DIMENSIONS.		PART NO : FS-CI0187-AA		REV	A
ASSEMBLY	DENSITY (g/mm <sup>3</sup> )		DRAWN BY		DATE	
MODEL	MASS (kg)		CHECKED BY	<i>Ashish</i>	DATE	28-4-23
DO NOT MEASURE FROM DRAWING	THIRD ANGLE PROJECTION		APPD BY	<i>Ashish</i>	DATE	2/5/23
SCALE	TITLE	SCREW SS ST 2.9X15MM(PAN WITH SLOTTED HEAD)			SHEET SIZE	SHEET OF
					A4	1 OF 1