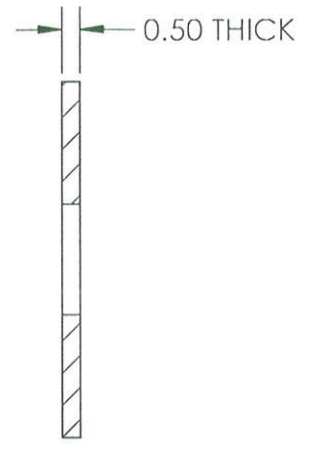
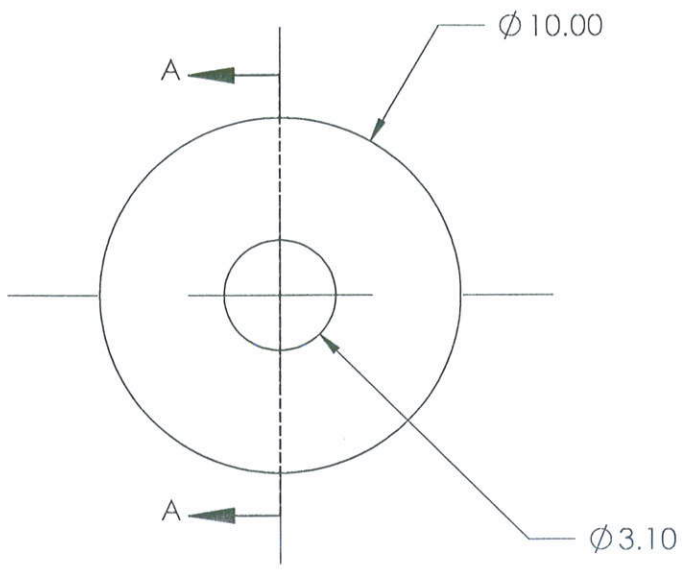
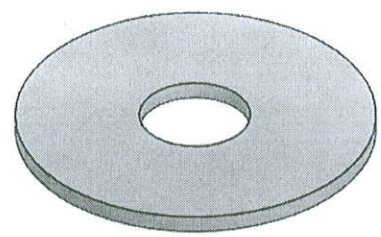


PART NO	REV
FS-CI0182-AA	A



SECTION A-A

TOP VIEW



ISOMETRIC VIEW

A	DRAWING RELEASE	--	AJAYRAM	--	15-06-2020
REV	DESCRIPTION OF CHANGE	LOC	BY	E.N.	DATE

ALL DIMENSIONS ARE IN "mm"		GENERAL TOLERANCES				ALL RIGHTS RESERVED MAYA APPLIANCES(P) LTD, CHENNAI-97 INDIA.					
DIMENSIONS		0.5 6	6 30	30 120	120 400					400 1000	
TOLERANCES ±		0.1	0.2	0.3	0.4	0.8	MATERIAL	SS	GRADE	--	
ANGULAR TOLERANCES ±1/2°		CONCENTRICITY- φ 0.1			COLOUR	NATURAL	FINISH	--			
REFERENCE	--	* CRITICAL DIMENSIONS			PART NO: FS-CI0182-AA			REV	A		
ASSEMBLY	FS	DENSITY (g/mm ³)		DRAWN BY		AJAYRAM	DATE	15-06-2020			
MODEL	--	MASS (Kg)		CHECKED BY		<i>Ajayram</i>	DATE	28-4-23			
DO NOT MEASURE FROM DRAWING REMOVE BURRS & SHARP EDGES		THIRD ANGLE PROJECTION		APPD BY		<i>Wadhwa</i>	DATE	2/5/23			
SCALE: 1:1	TITLE	WASHER SS ID3.1XOD10XT0.5 MM					SHEET SIZE	A4 SHEET 1 OF 1			