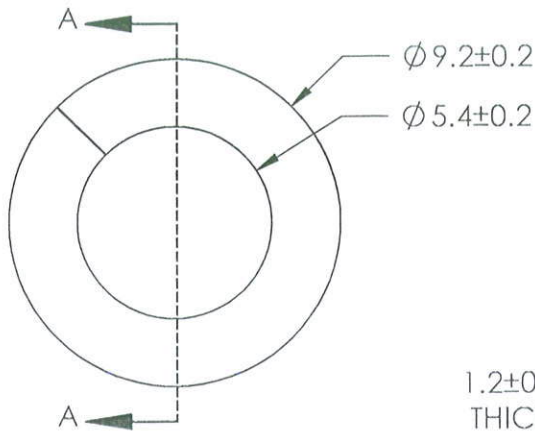
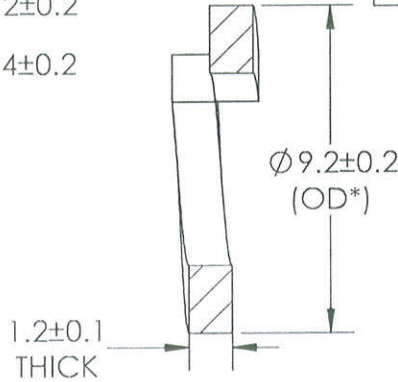


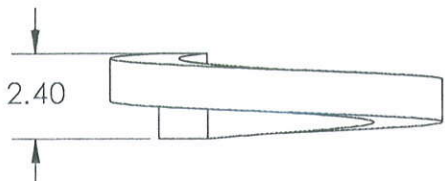
PART NO	REV
FS-CI0179-AA	A



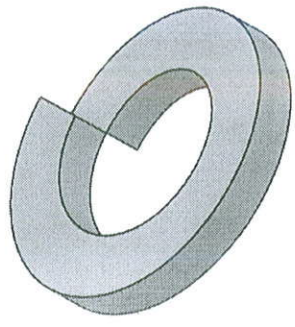
**TOP VIEW**



**SECTION A-A**



**FRONT VIEW**



**ISOMETRIC VIEW**

A	DRAWING RELEASE	--	AJAYRAM	--	17-03-2020
REV	DESCRIPTION OF CHANGE	LOC	BY	E.N.	DATE

ALL DIMENSIONS ARE IN "mm"		GENERAL TOLERANCES				ALL RIGHTS RESERVED <b>MAYA APPLIANCES(P) LTD,</b> CHENNAI-97 INDIA.					
DIMENSIONS		$\frac{0.5}{6}$	$\frac{6}{30}$	$\frac{30}{120}$	$\frac{120}{400}$					$\frac{400}{1000}$	MATERIAL
TOLERANCES $\pm$		0.1	0.2	0.3	0.4	0.8	COLOUR	--	FINISH	--	
ANGULAR TOLERANCES $\pm 1/2^\circ$		CONCENTRICITY- $\phi$ 0.1				PART NO:		FS-CI0179-AA		REV	A
REFERENCE	--	* CRITICAL DIMENSIONS		DRAWN BY		AJAYRAM	DATE	17-03-2020			
ASSEMBLY	--	DENSITY (g/mm <sup>3</sup> )		CHECKED BY		<i>Ajayram</i>	DATE	28-4-23			
MODEL	--	MASS (Kg)		APPD BY		<i>Ajayram</i>	DATE	2/5/23			
DO NOT MEASURE FROM DRAWING REMOVE BURRS & SHARP EDGES		THIRD ANGLE PROJECTION		SHEET SIZE		A4		SHEET 1 OF 1			
SCALE: 1:1	TITLE		SPRING WASHER - 5MM (SS)								