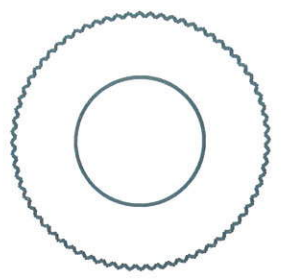


1

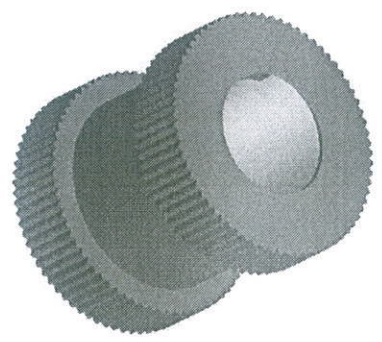
2

3

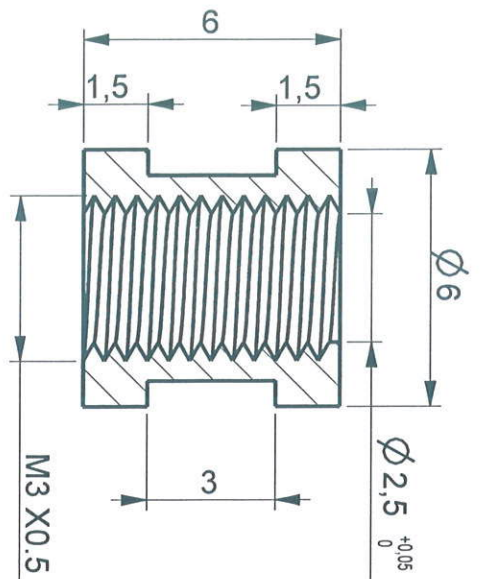
PART NO	REV
FS-C10177-AA	A



PLAN



MATING PARTS



SECTION A-A

SL.NO.	PART NO.	DESCRIPTION	MATERIAL
1	FS-C10189-AA	INSERT SS M3X6	SS

NOTES
 1. ALL DIMENSIONS ARE IN MM.
 2. PART SHOULD BE FREE FROM BURRS & SHARP EDGES.
 3. DO NOT MEASURE FROM THE DRAWING.

REV	DESCRIPTION OF CHANGE				LOC	BY	E.N.	DATE
ALL DIMENSIONS ARE IN MM		GENERAL TOLERANCES			MAYA APPLIANCES (P) LTD, CHENNAI-97, INDIA.			
DIMENSIONS	0.5 6	6 30	30 120	120 400	400 1000			
TOLERANCES ±	0.1	0.2	0.3	0.4	0.8			
ANGULAR TOLERANCE- ±1/2°	CONCENTRICITY- Ø0.1				COLOUR			

REFERENCE		* CRITICAL DIMENSIONS.		PART NO :	FS-C10177-AA	REV	A
ASSEMBLY		DENSITY (g/mm ³)		DRAWN BY		DATE	6-6-24
MODEL		MASS (kg)		CHECKED BY	<i>[Signature]</i>	DATE	6-6-24
DO NOT MEASURE FROM DRAWING		THIRD ANGLE PROJECTION		APPD BY	<i>[Signature]</i>	DATE	
SCALE	TITLE	INSERT BRASS M3X6		SHEET SIZE	A4	SHEET OF 1 OF 1	

1

2

3