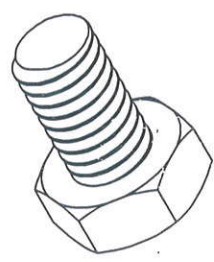
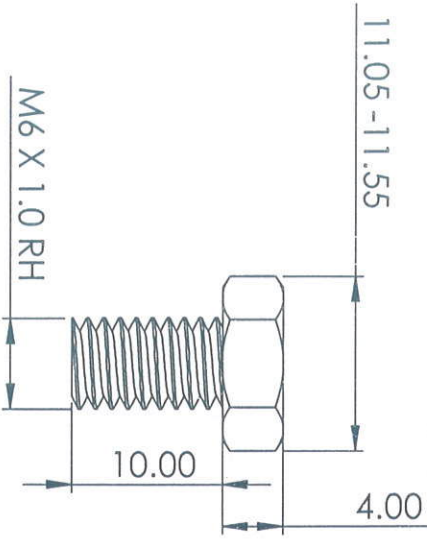
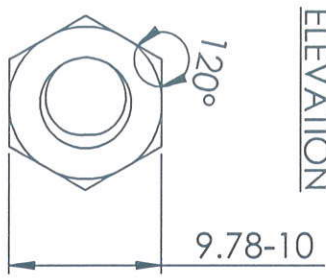


PART NO	REV
FS-CI0163-AA	A



ELEVATION



BOTTOM VIEW

REV	DRAWING RELEASE	LOC	BY	E.N.	DATE
A	--	ANAND	--	6-9-23	
REV	DESCRIPTION OF CHANGE	LOC	BY	E.N.	DATE

ALL RIGHTS RESERVED
MAYA APPLIANCES(P) LTD,
 CHENNAI-97
 INDIA.

ALL DIMENSIONS
 ARE IN "mm"

DIMENSIONS	GENERAL TOLERANCES				
0.5	6	30	120	400	400
6	30	120	400	1000	

TOLERANCES ±	0.1	0.2	0.3	0.4	0.8
--------------	-----	-----	-----	-----	-----

ANGULAR TOLERANCES ±1/2°	CONCENTRICITY- φ 0.1
--------------------------	----------------------

REFERENCE	--	* CRITICAL DIMENSIONS	PART NO:	FS-CI0163-AA	REV	A
-----------	----	-----------------------	----------	--------------	-----	---

ASSEMBLY	MG	DENSITY (g/mm ³)	DRAWN BY	ANAND	DATE	6-9-23
----------	----	------------------------------	----------	-------	------	--------

MODEL	--	MASS (Kg)	CHECKED BY	<i>[Signature]</i>	DATE	28-12-23
-------	----	-----------	------------	--------------------	------	----------

DO NOT MEASURE FROM DRAWING REMOVE BURRS & SHARP EDGES	THIRD ANGLE PROJECTION	APPD BY	<i>[Signature]</i>	DATE	19/11/24
--	------------------------	---------	--------------------	------	----------

SCALE:2:1	TITLE	BOLT HEX.MS M6X10	SHEET SIZE	A4	SHEET 1 OF 1
-----------	-------	-------------------	------------	----	--------------