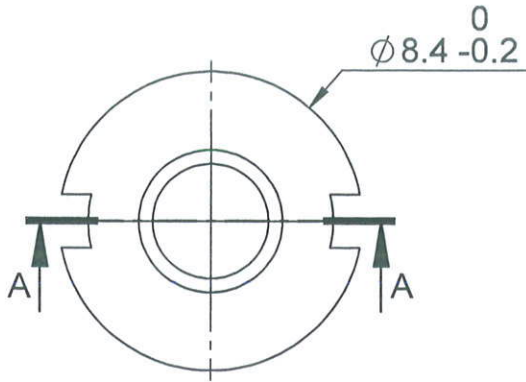
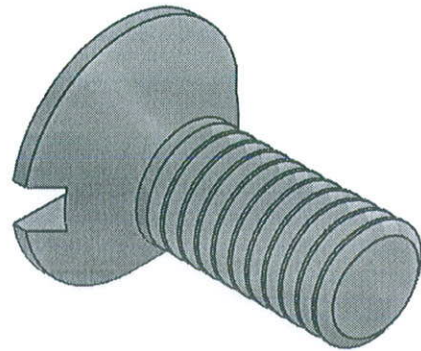


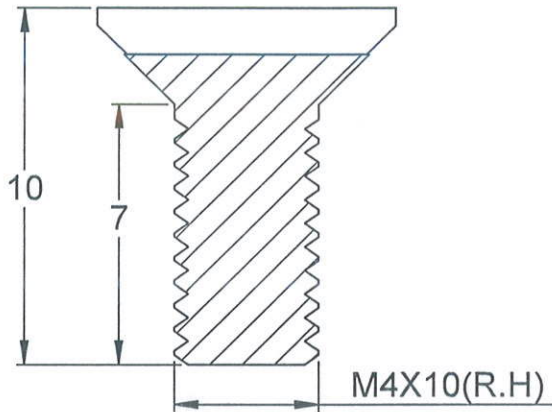
PART NO	REV
FS-CI0141-AA	A



TOP VIEW



ISOMETRIC VIEW



SECTION A-A
SCALE 5 : 1

A	DRAWING RELEASE	-	-	-	16-05-2023
REV	DESCRIPTION OF CHANGE	LOC	BY	E.N.	DATE

ALL DIMENSIONS ARE IN "mm"		GENERAL TOLERANCES				ALL RIGHTS RESERVED MAYA APPLIANCES(P) LTD, CHENNAI-97 INDIA.					
DIMENSIONS		0.5/6	6/30	30/120	120/400	400/1000	MATERIAL		SS	GRADE	304
TOLERANCES ±		0.1	0.2	0.3	0.4	0.8	COLOUR		NATURAL	FINISH	POLISHED
ANGULAR TOLERANCES ±1/2°		CONCENTRICITY- φ 0.1				PART NO:		FS-CI0141-AA	REV	A	
REFERENCE	--	* CRITICAL DIMENSIONS		DRAWN BY		THIRUPPATHI	DATE	16-05-2023			
ASSEMBLY	COMMON	DENSITY (g/mm ³)	--	CHECKED BY		<i>A. S. S.</i>	DATE	3-10-23			
MODEL	--	MASS (Kg)	--	APPD BY		<i>K. S. S.</i>	DATE	3/10/23			
DO NOT MEASURE FROM DRAWING REMOVE BURRS & SHARP EDGES		THIRD ANGLE PROJECTION		SHEET SIZE		A4		SHEET 1 OF 1			
SCALE:3:1	TITLE	SCREW CSK M4X10MM SS									