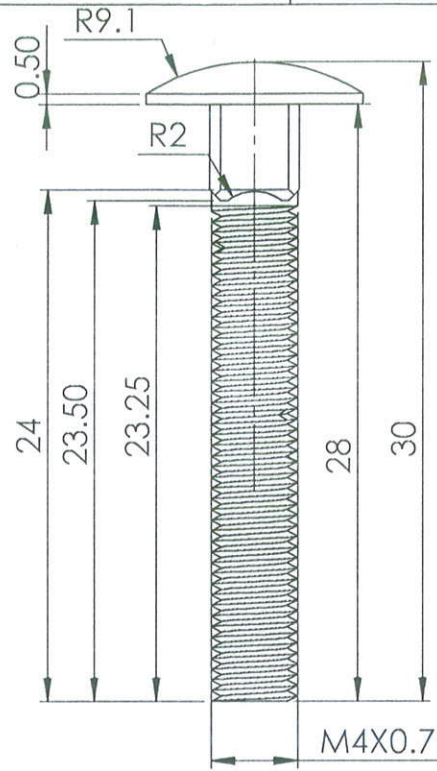
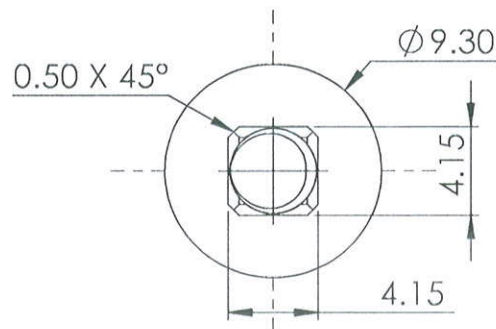


PART NO	REV
FS-CI0140-AA	A



FRONT VIEW



BOTTOM VIEW

A	DRAWING RELEASE	-	D.VIGNESH	-	16-04-2021
REV	DESCRIPTION OF CHANGE	LOC	BY	E.N.	DATE

ALL DIMENSIONS ARE IN "mm"

GENERAL TOLERANCES

ALL RIGHTS RESERVED
MAYA APPLIANCES(P) LTD,
CHENNAI-97
INDIA.

DIMENSIONS

0.5	6	30	120	400
6	30	120	400	1000

TOLERANCES ±

0.1	0.2	0.3	0.4	0.8
-----	-----	-----	-----	-----

MATERIAL

SS

GRADE

304

ANGULAR TOLERANCES ±1/2°

CONCENTRICITY- ϕ 0.1

COLOUR

NATURAL

FINISH

POLISHED

REFERENCE

--

* CRITICAL DIMENSIONS

PART NO: FS-CI0140-AA

REV

A

ASSEMBLY

MG

DENSITY (g/mm³)

--

DRAWN BY

D.VIGNESH

DATE

16-04-2021

MODEL

--

MASS (Kg)

--

CHECKED BY

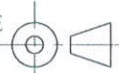
A.S. 28

DATE

28-4-23

DO NOT MEASURE FROM DRAWING REMOVE BURRS & SHARP EDGES

THIRD ANGLE PROJECTION



APPD BY

M. S. 28

DATE

21/5/23

SCALE:3:1

TITLE

M4X28 CARRIAGE SQ BOLT SS 304

SHEET SIZE

A4

SHEET 1 OF 1