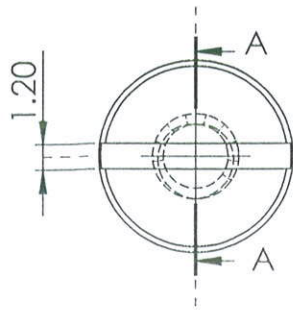
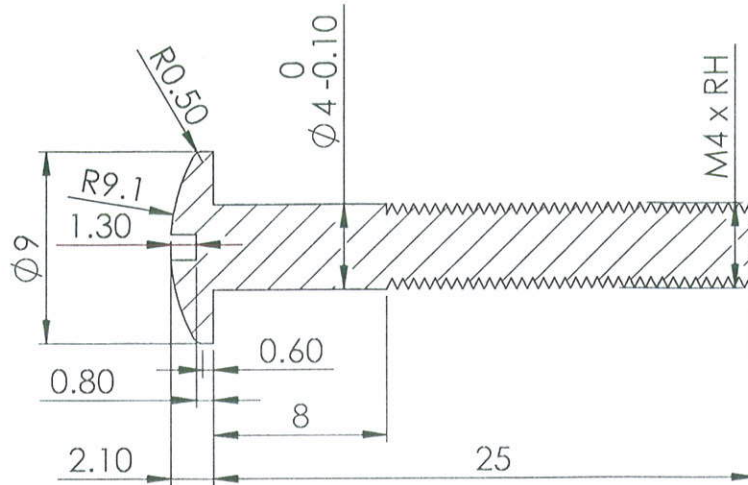


PART NO	REV
FS-CI0127-AA	A



TOP VIEW



SECTION A-A



ISOMETRIC VIEW

A	DRAWING RELEASE	-	-	-	17-1-18
REV	DESCRIPTION OF CHANGE	LOC	BY	E.N.	DATE

ALL DIMENSIONS ARE IN "mm"		GENERAL TOLERANCES				ALL RIGHTS RESERVED <b>MAYA APPLIANCES(P) LTD,</b> CHENNAI-97 INDIA.					
DIMENSIONS		0.5 6	6 30	30 120	120 400					400 1000	
TOLERANCES ±		0.1	0.2	0.3	0.4	0.8	MATERIAL	SS	GRADE	304	
ANGULAR TOLERANCES ±1/2°		CONCENTRICITY- φ 0.1				COLOUR	NATURAL	FINISH	POLISHED		
REFERENCE	--	* CRITICAL DIMENSIONS				PART NO: FS-CI0127-AA			REV	A	
ASSEMBLY	COMMON	DENSITY (g/mm <sup>3</sup> )	--	DRAWN BY	M.KASI	DATE	17-1-18				
MODEL	--	MASS (Kg)	--	CHECKED BY	<i>Ajsh</i>	DATE	28-4-23				
DO NOT MEASURE FROM DRAWING REMOVE BURRS & SHARP EDGES		THIRD ANGLE PROJECTION		APPD BY	<i>Ajsh</i>	DATE	2/5/23				
SCALE:3:1	TITLE	SS SCREW ROUND HEAD WITH SLOT - M4X25					SHEET SIZE	A4 SHEET 1 OF 1			