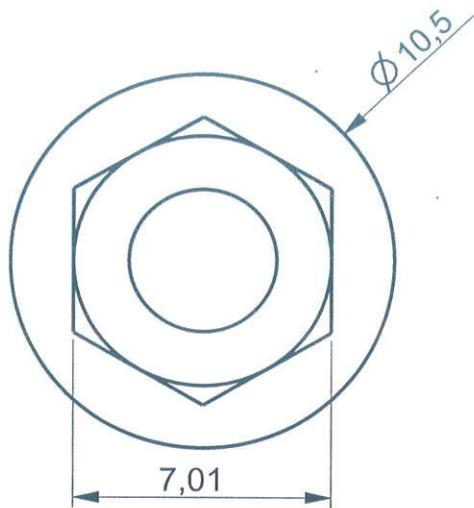
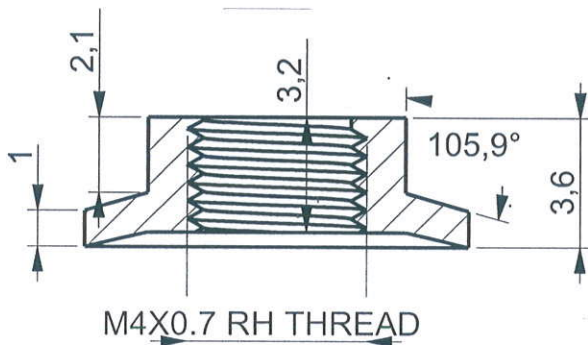
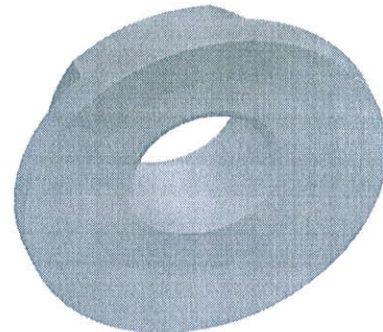


PART NO	REV
FS-CI0126-AA	A



PLAN



SECTION A-A

MATING PARTS

NOTES

1. ALL DIMENSIONS ARE IN MM.
2. PART SHOULD BE FREE FROM BURRS & SHARP EDGES.
3. DO NOT MEASURE FROM THE DRAWING.

REV	DESCRIPTION OF CHANGE	LOC	BY	E.N.	DATE

ALL DIMENSIONS ARE IN MM	GENERAL TOLERANCES					ALL RIGHTS RESERVED MAYA APPLIANCES (P) LTD, CHENNAI-97, INDIA.			
DIMENSIONS	0.5/6	6/30	30/120	120/400	400/1000	MATERIAL	SS	GRADE	304
TOLERANCES ±	0.1	0.2	0.3	0.4	0.8	COLOUR	NATURAL	FINISH	POLISHED
ANGULAR TOLERANCE- ±1/2°	CONCENTRICITY- Ø0.1								

REFERENCE	* CRITICAL DIMENSIONS.				PART NO : FS-CI0126-AA		REV	A
ASSEMBLY	MG	DENSITY (g/mm ³)			DRAWN BY		DATE	4-9-23
MODEL	MASS (kg)				CHECKED BY	<i>A. J. Jay</i>	DATE	28-12-23
DO NOT MEASURE FROM DRAWING	THIRD ANGLE PROJECTION		APPD BY	<i>Sachin</i>	DATE		DATE	19/1/24
SCALE	TITLE	NUT M4 FLANGE-SS				SHEET SIZE	A4	SHEET OF 1 OF 1