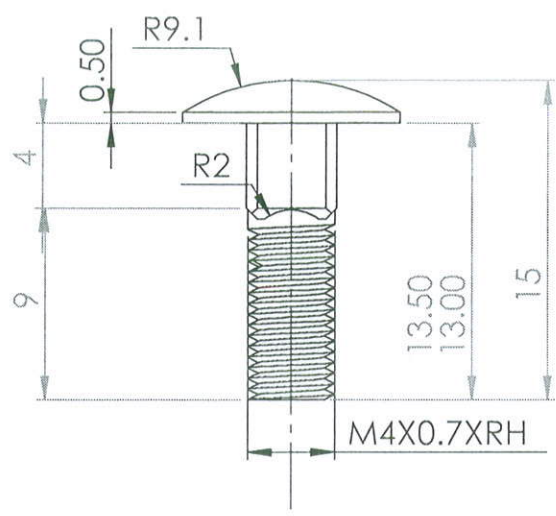
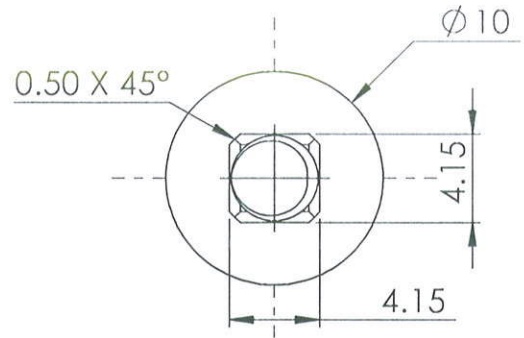


PART NO	REV
FS-CI0107-AA	A



FRONT VIEW



BOTTOM VIEW

A	DRAWING RELEASE	-	-	-	3-05-2017
REV	DESCRIPTION OF CHANGE	LOC	BY	E.N.	DATE

ALL DIMENSIONS ARE IN "mm"		GENERAL TOLERANCES				ALL RIGHTS RESERVED MAYA APPLIANCES(P) LTD, CHENNAI-97 INDIA.					
DIMENSIONS		0.5 6	6 30	30 120	120 400					400 1000	
TOLERANCES ±		0.1	0.2	0.3	0.4	0.8	MATERIAL	SS	GRADE	304	
ANGULAR TOLERANCES ±1/2°		CONCENTRICITY- φ 0.1			COLOUR	NATURAL	FINISH	POLISHED			
REFERENCE	--	* CRITICAL DIMENSIONS			PART NO: FS-CI0107-AA			REV	A		
ASSEMBLY	MG	DENSITY (g/mm³)	--	DRAWN BY	GANESHE	DATE	3-5-2017				
MODEL	--	MASS (Kg)	--	CHECKED BY	<i>A.S. 26</i>	DATE	26-4-23				
DO NOT MEASURE FROM DRAWING REMOVE BURRS & SHARP EDGES		THIRD ANGLE PROJECTION		APPD BY	<i>S. N. Mohan</i>	DATE	28/4/23				
SCALE:3:1	TITLE	M4X13 CARRIAGE SQ BOLT SS 304					SHEET SIZE	A4 SHEET 1 OF 1			