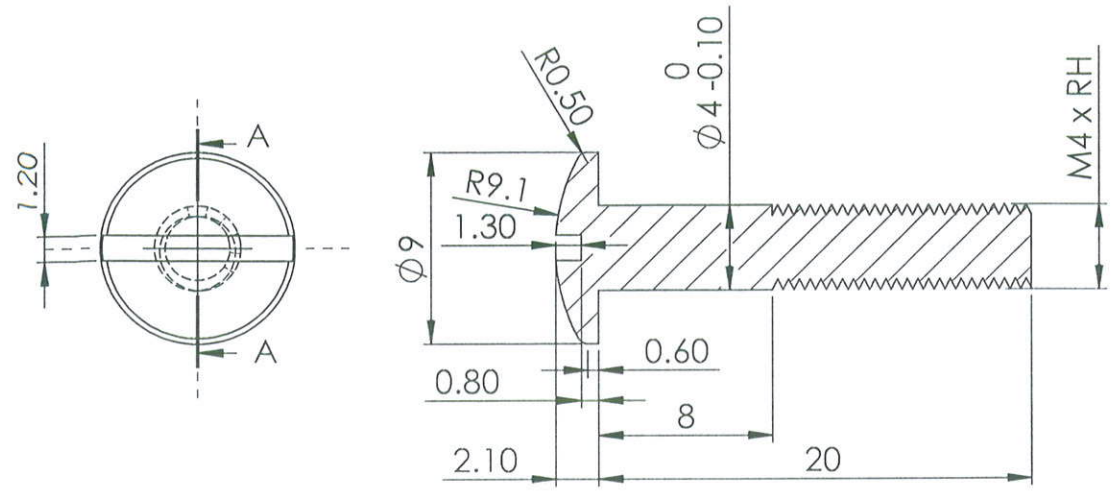


PART NO	REV
FS-CI0103-AA	A



TOP VIEW

SECTION A-A



ISOMETRIC VIEW

A	DRAWING RELEASE	-	-	-	23-02-2017
REV	DESCRIPTION OF CHANGE	LOC	BY	E.N.	DATE

ALL DIMENSIONS ARE IN "mm"		GENERAL TOLERANCES				ALL RIGHTS RESERVED MAYA APPLIANCES(P) LTD, CHENNAI-97 INDIA.					
DIMENSIONS		0.5/6	6/30	30/120	120/400					400/1000	
TOLERANCES ±		0.1	0.2	0.3	0.4	0.8	MATERIAL	SS	GRADE	304	
ANGULAR TOLERANCES ±1/2°		CONCENTRICITY- φ 0.1			COLOUR	NATURAL	FINISH	POLISHED			
REFERENCE	--	* CRITICAL DIMENSIONS			PART NO: FS-CI0103-AA			REV	A		
ASSEMBLY	COMMON	DENSITY (g/mm³)	--	DRAWN BY	M.KASI	DATE	30-03-17				
MODEL	--	MASS (Kg)	--	CHECKED BY	<i>As 3</i>	DATE	28-4-23				
DO NOT MEASURE FROM DRAWING REMOVE BURRS & SHARP EDGES		THIRD ANGLE PROJECTION		APPD BY	<i>Nachay</i>	DATE	28/4/23				
SCALE:3:1	TITLE	SS SCREW ROUND HEAD WITH SLOT - M4X20					SHEET SIZE	A4 SHEET 1 OF 1			