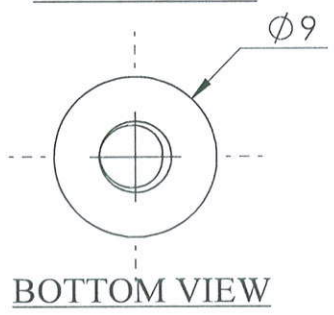
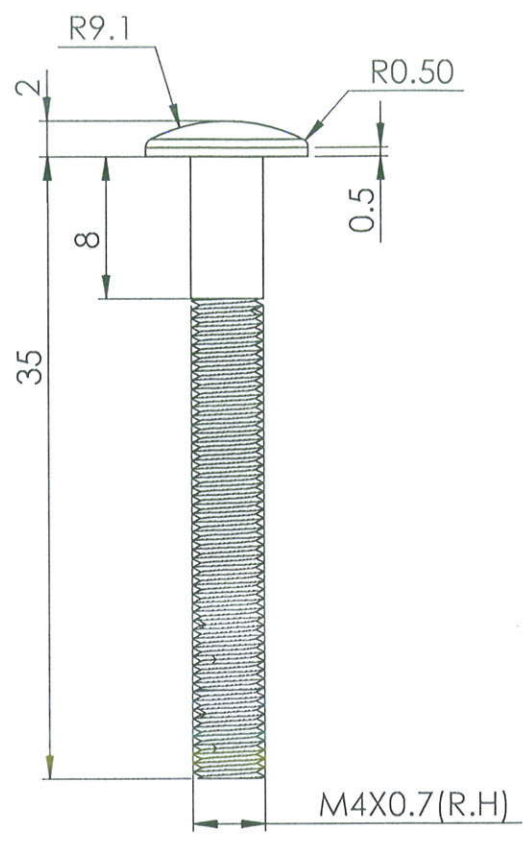


PART NO	REV
FS-CI0102-AA	A



A	DRAWING RELEASE	-	-	-	23-02-2017
REV	DESCRIPTION OF CHANGE	LOC	BY	E.N.	DATE

ALL DIMENSIONS ARE IN "mm"		GENERAL TOLERANCES				ALL RIGHTS RESERVED MAYA APPLIANCES(P) LTD, CHENNAI-97 INDIA.					
DIMENSIONS		0.5/6	6/30	30/120	120/400	400/1000	MATERIAL		SS	GRADE	304
TOLERANCES \pm		0.1	0.2	0.3	0.4	0.8	COLOUR		NATURAL	FINISH	POLISHED
ANGULAR TOLERANCES $\pm 1/2$		CONCENTRICITY- ϕ 0.1				PART NO: FS-CI0102-AA		REV	A		
REFERENCE	--	* CRITICAL DIMENSIONS		DRAWN BY		GANESH.E	DATE	23-02-2017			
ASSEMBLY	COMMON	DENSITY (g/mm ³)	--	CHECKED BY		<i>A. J. S.</i>	DATE	26-4-23			
MODEL	--	MASS (Kg)	--	APPD BY		<i>Neelam</i>	DATE	28/4/23			
DO NOT MEASURE FROM DRAWING REMOVE BURRS & SHARP EDGES		THIRD ANGLE PROJECTION		SHEET SIZE		A4		SHEET 1 OF 1			
SCALE:2.5:1	TITLE	SS SCREW ROUND HEAD M4X35									