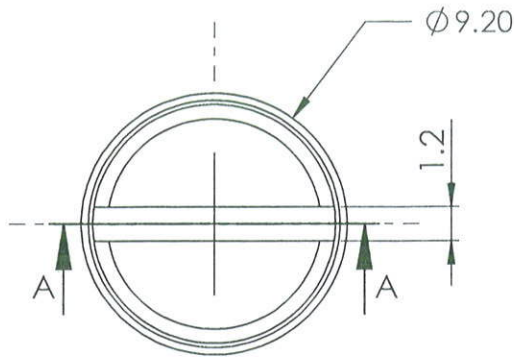
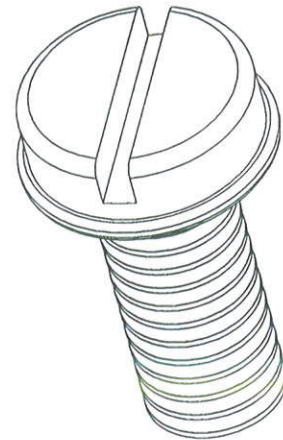


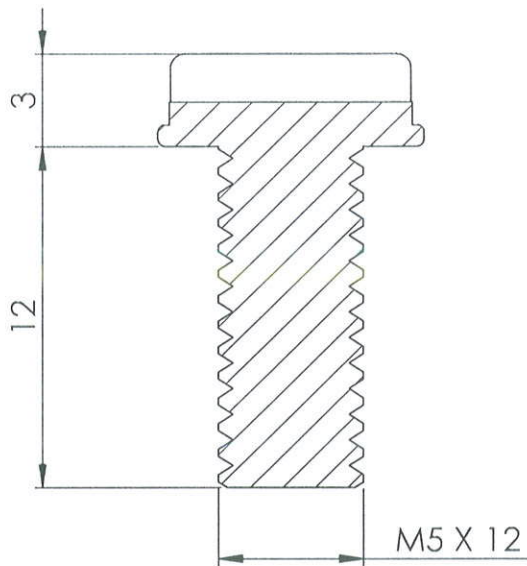
PART NO	REV
FS-CI0101-AA	A



FRONT VIEW



ISOMETRIC VIEW



SECTION A-A  
BOTTOM VIEW

A	DRAWING RELEASE	--	--	--	26-04-2023
REV	DESCRIPTION OF CHANGE	LOC	BY	E.N.	DATE

ALL DIMENSIONS ARE IN "mm"

GENERAL TOLERANCES

ALL RIGHTS RESERVED  
MAYA APPLIANCES(P) LTD,  
CHENNAI-97  
INDIA.

DIMENSIONS	0.5/6	6/30	30/120	120/400	400/1000
------------	-------	------	--------	---------	----------

TOLERANCES ±	0.1	0.2	0.3	0.4	0.8
--------------	-----	-----	-----	-----	-----

MATERIAL	MS	GRADE	--
----------	----	-------	----

ANGULAR TOLERANCES ±1/2	CONCENTRICITY- φ 0.1	COLOUR	NATURAL	FINISH	--
-------------------------	----------------------	--------	---------	--------	----

REFERENCE	--	* CRITICAL DIMENSIONS	PART NO: FS-CI0101-AA	REV	A
-----------	----	-----------------------	-----------------------	-----	---

ASSEMBLY	MG	DENSITY (g/mm <sup>3</sup> )	DRAWN BY	R.THIRUPATHI	DATE	26-04-2023
----------	----	------------------------------	----------	--------------	------	------------

MODEL	--	MASS (Kg)	CHECKED BY	<i>As</i>	DATE	26-4-23
-------	----	-----------	------------	-----------	------	---------

DO NOT MEASURE FROM DRAWING REMOVE BURRS & SHARP EDGES	THIRD ANGLE PROJECTION	APPD BY	<i>Neha</i>	DATE	28/4/23
--	------------------------	---------	-------------	------	---------

SCALE:4:1	TITLE	SCREW M5X12 MS WITH WASHER (SLOTTED PAN HEAD)	SHEET SIZE	A4	SHEET 1 OF 1
-----------	-------	---	------------	----	--------------