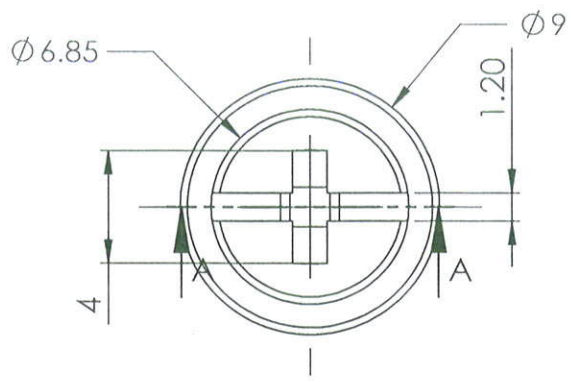


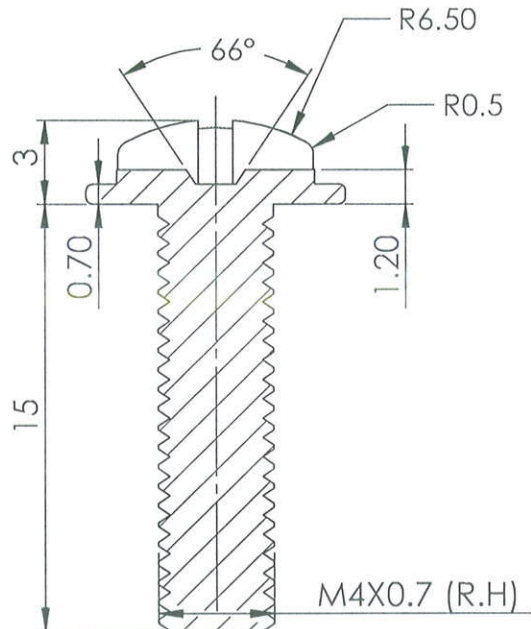
PART NO	REV
FS-CI0098-AA	A



TOP VIEW



ISOMETRIC VIEW



SECTION A-A

A	DRAWING RELEASE	--	--	--	14-07-2016
REV	DESCRIPTION OF CHANGE	LOC	BY	E.N.	DATE

ALL DIMENSIONS ARE IN "mm"	GENERAL TOLERANCES					ALL RIGHTS RESERVED MAYA APPLIANCES(P) LTD, CHENNAI-97 INDIA.			
DIMENSIONS	0.5/6	6/30	30/120	120/400	400/1000				

TOLERANCES ±	0.1	0.2	0.3	0.4	0.8	MATERIAL	MS	GRADE	--
--------------	-----	-----	-----	-----	-----	----------	----	-------	----

ANGULAR TOLERANCES ±1/2°	CONCENTRICITY- φ 0.1					COLOUR	NATURAL	FINISH	--
--------------------------	----------------------	--	--	--	--	--------	---------	--------	----

REFERENCE	--	* CRITICAL DIMENSIONS	PART NO: FS-CI0098-AA			REV	A
-----------	----	-----------------------	-----------------------	--	--	-----	---

ASSEMBLY	MG	DENSITY (g/mm <sup>3</sup> )	DRAWN BY		GANESHE	DATE	14-07-2016
----------	----	------------------------------	----------	--	---------	------	------------

MODEL	--	MASS (Kg)	CHECKED BY		<i>A.S. Singh</i>	DATE	26-4-23
-------	----	-----------	------------	--	-------------------	------	---------

DO NOT MEASURE FROM DRAWING REMOVE BURRS & SHARP EDGES	THIRD ANGLE PROJECTION	APPD BY		<i>A. Dehoy</i>	DATE	28/4/23
--	------------------------	---------	--	-----------------	------	---------

SCALE:4:1	TITLE	SCREW M4X15 MS WITH WASHER			SHEET SIZE	A4	SHEET 1 OF 1
-----------	-------	----------------------------	--	--	------------	----	--------------