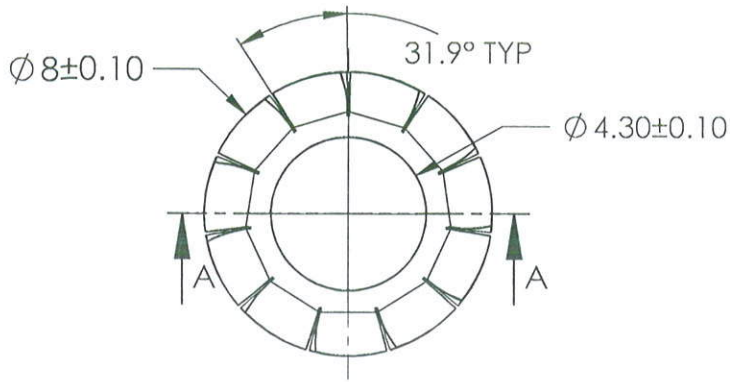
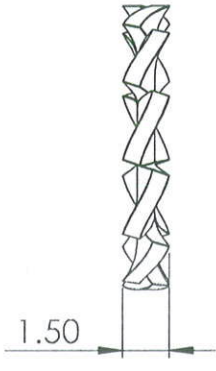


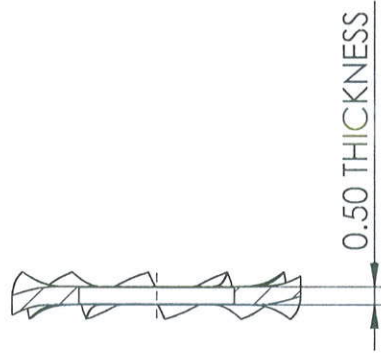
PART NO	REV
FS-CI0097-AA	A



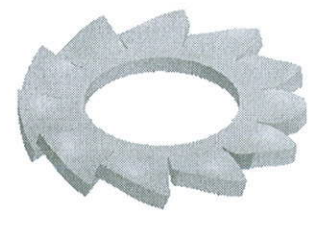
**TOP VIEW**



**SIDE VIEW**



**SECTION A-A**



**SECTION A-A**

A	DRAWING RELEASE	--	--	--	07-07-2016
REV	DESCRIPTION OF CHANGE	LOC	BY	E.N.	DATE

ALL DIMENSIONS ARE IN "mm"		GENERAL TOLERANCES				ALL RIGHTS RESERVED <b>MAYA APPLIANCES(P) LTD,</b> CHENNAI-97 INDIA.					
DIMENSIONS		0.5/6	6/30	30/120	120/400					400/1000	MATERIAL
TOLERANCES ±		0.1	0.2	0.3	0.4	0.8	COLOUR		NATURAL	FINISH	--
ANGULAR TOLERANCES ±1/2°		CONCENTRICITY- φ 0.1				PART NO:		FS-CI0097-AA		REV	A
REFERENCE	--	* CRITICAL DIMENSIONS				DRAWN BY		GANESH.E	DATE	07-07-2016	
ASSEMBLY	MG	DENSITY (g/mm <sup>3</sup> )				CHECKED BY		<i>708</i>	DATE	<i>26.4.23</i>	
MODEL	--	MASS (Kg)				APPD BY		<i>Maya</i>	DATE	<i>28/4/23</i>	
DO NOT MEASURE FROM DRAWING REMOVE BURRS & SHARP EDGES		THIRD ANGLE PROJECTION				SHEET SIZE		A4		SHEET 1 OF 1	
SCALE:1:1		TITLE				SERRATED WASHER EXTERNAL SIZE M4 SS					