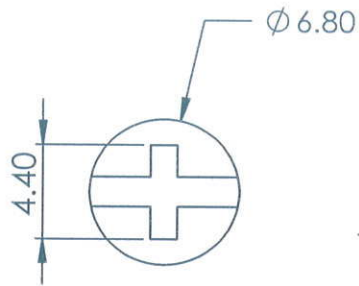
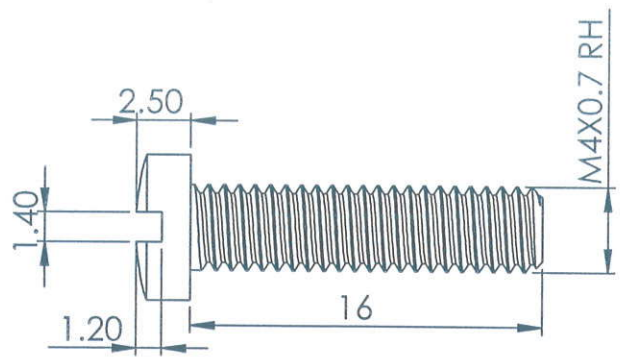


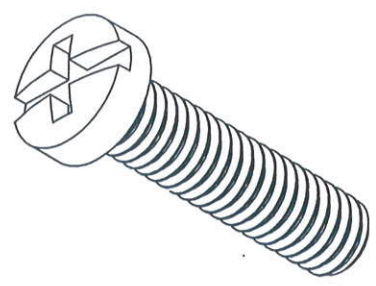
PART NO	REV
FS-CI0096-AA	A



ELEVATION



SIDE VIEW



ISOMETRIC VIEW

A	DRAWING RELEASE	--	ANAND	--	8-9-23
REV	DESCRIPTION OF CHANGE	LOC	BY	E.N.	DATE

ALL DIMENSIONS ARE IN "mm"		GENERAL TOLERANCES					ALL RIGHTS RESERVED MAYA APPLIANCES(P) LTD, CHENNAI-97 INDIA.				
DIMENSIONS		0.5/6	6/30	30/120	120/400	400/1000					
TOLERANCES ±		0.1	0.2	0.3	0.4	0.8	MATERIAL	SS	GRADE	304	
ANGULAR TOLERANCES ±1/2°		CONCENTRICITY- φ 0.1					COLOUR	NATURAL	FINISH	POLISHED	
REFERENCE	--	* CRITICAL DIMENSIONS					PART NO:		FS-CI0096-AA	REV	A
ASSEMBLY	MG	DENSITY (g/mm ³)					DRAWN BY	ANAND	DATE	8-9-23	
MODEL	--	MASS (Kg)					CHECKED BY	<i>Ashish</i>	DATE	28-12-23	
DO NOT MEASURE FROM DRAWING REMOVE BURRS & SHARP EDGES		THIRD ANGLE PROJECTION -					APPD BY	<i>Neha</i>	DATE	19/1/24	
SCALE:4:1	TITLE	SS SCREW M4X16(PAN COMBI)						SHEET SIZE		SHEET 1 OF 1	
								A4			