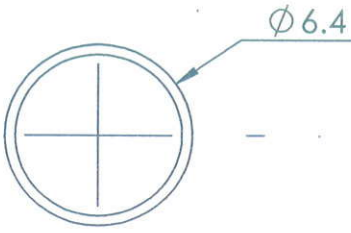
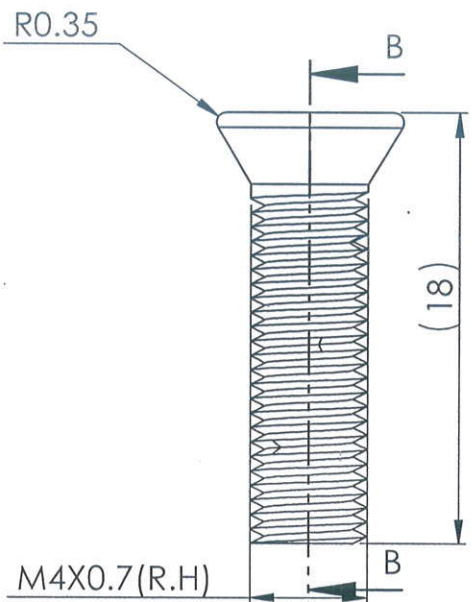


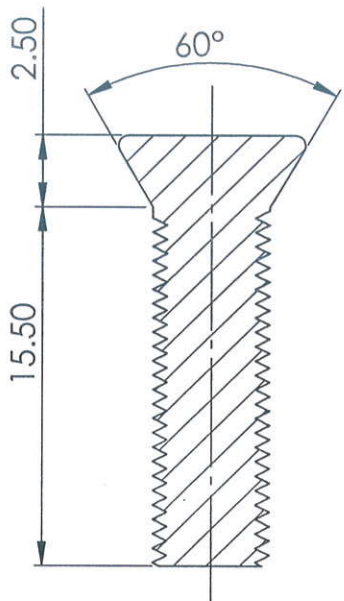
PART NO	REV
FS-CI0094-AA	A



TOP VIEW



FRONT VIEW



SECTION B-B

A	DRAWING RELEASE	--	--	--	30-05-2016
REV	DESCRIPTION OF CHANGE	LOC	BY	E.N.	DATE

ALL DIMENSIONS ARE IN "mm"		GENERAL TOLERANCES				ALL RIGHTS RESERVED <b>MAYA APPLIANCES(P) LTD,</b> CHENNAI-97 INDIA.					
DIMENSIONS		$\frac{0.5}{6}$	$\frac{6}{30}$	$\frac{30}{120}$	$\frac{120}{400}$					$\frac{400}{1000}$	MATERIAL
TOLERANCES $\pm$		0.1	0.2	0.3	0.4	0.8	COLOUR		NATURAL	FINISH	--
ANGULAR TOLERANCES $\pm 1/2^\circ$		CONCENTRICITY - $\phi 0.1$				PART NO:		FS-CI0094-AA		REV	A
REFERENCE	--	* CRITICAL DIMENSIONS				DRAWN BY		GANESH.E	DATE	30-05-2016	
ASSEMBLY	CI	DENSITY (g/mm <sup>3</sup> )				CHECKED BY		<i>Ashok</i>	DATE	<i>28-12-23</i>	
MODEL	--	MASS (Kg)				APPD BY		<i>Debay</i>	DATE	<i>19/1/24</i>	
DO NOT MEASURE FROM DRAWING REMOVE BURRS & SHARP EDGES		THIRD ANGLE PROJECTION -				SHEET SIZE		A4		SHEET 1 OF 1	
SCALE:4:1		TITLE				STUD WELD SCREW CSK M4X18mm.					