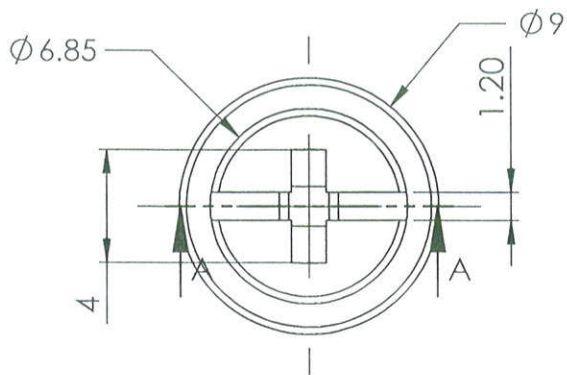


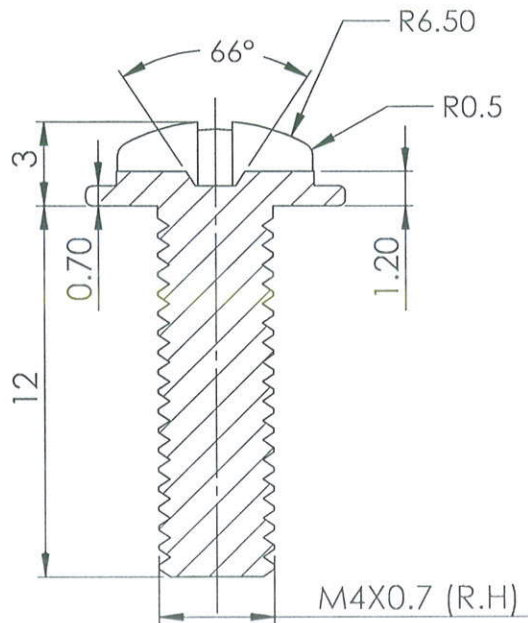
PART NO	REV
FS-CI0086-AA	A



TOP VIEW



ISOMETRIC VIEW



SECTION A-A

A	DRAWING RELEASE	--	--	--	30-05-2016
REV	DESCRIPTION OF CHANGE	LOC	BY	E.N.	DATE

ALL DIMENSIONS ARE IN "mm"

GENERAL TOLERANCES

ALL RIGHTS RESERVED
MAYA APPLIANCES(P) LTD,
CHENNAI-97
INDIA.

DIMENSIONS	$\frac{0.5}{6}$	$\frac{6}{30}$	$\frac{30}{120}$	$\frac{120}{400}$	$\frac{400}{1000}$
------------	-----------------	----------------	------------------	-------------------	--------------------

TOLERANCES \pm	0.1	0.2	0.3	0.4	0.8
------------------	-----	-----	-----	-----	-----

MATERIAL	MS	GRADE	--
----------	----	-------	----

ANGULAR TOLERANCES $\pm 1/2^\circ$	CONCENTRICITY- ϕ 0.1	COLOUR	NATURAL	FINISH	--
------------------------------------	---------------------------	--------	---------	--------	----

REFERENCE	--	* CRITICAL DIMENSIONS	PART NO: FS-CI0086-AA	REV	A
-----------	----	-----------------------	-----------------------	-----	---

ASSEMBLY	MG	DENSITY (g/mm ³)	DRAWN BY	GANESHE	DATE	30-05-2016
----------	----	------------------------------	----------	---------	------	------------

MODEL	--	MASS (Kg)	CHECKED BY	<i>A.S.</i>	DATE	26-4-23
-------	----	-----------	------------	-------------	------	---------

DO NOT MEASURE FROM DRAWING REMOVE BURRS & SHARP EDGES	THIRD ANGLE PROJECTION	APPD BY	<i>Neha</i>	DATE	28/4/23
--	------------------------	---------	-------------	------	---------

SCALE:4:1	TITLE	SCREW M4X12 MS WITH WASHER	SHEET SIZE	A4	SHEET 1 OF 1
-----------	-------	----------------------------	------------	----	--------------