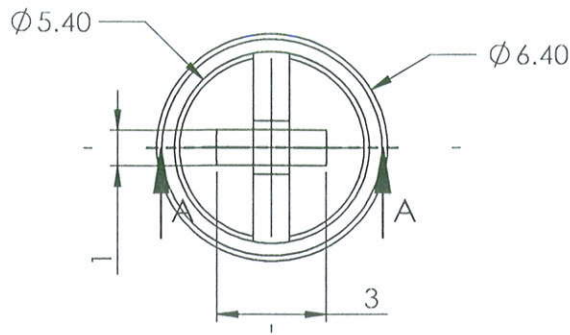


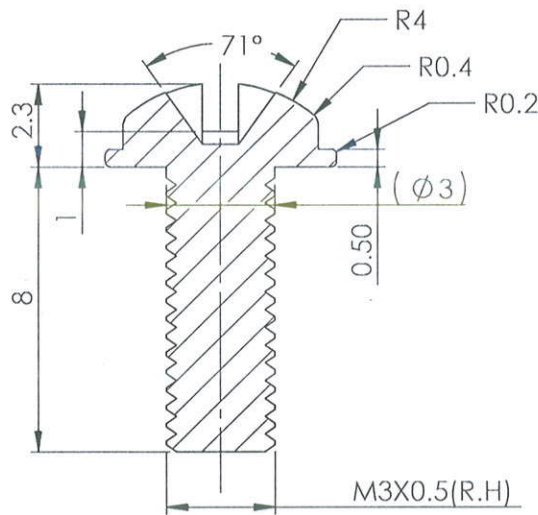
PART NO	REV
FS-CI0085-AA	A



TOP VIEW



ISOMETRIC VIEW



SECTION A-A

A	DRAWING RELEASE	--	--	--	30-05-2016
REV	DESCRIPTION OF CHANGE	LOC	BY	E.N.	DATE

ALL DIMENSIONS ARE IN "mm"		GENERAL TOLERANCES				ALL RIGHTS RESERVED MAYA APPLIANCES(P) LTD, CHENNAI-97 INDIA.					
DIMENSIONS		0.5/6	6/30	30/120	120/400					400/1000	
TOLERANCES ±		0.1	0.2	0.3	0.4	0.8	MATERIAL	MS	GRADE	--	
ANGULAR TOLERANCES ±1/2°		CONCENTRICITY- φ 0.1				COLOUR	NATURAL	FINISH	--		
REFERENCE	--	* CRITICAL DIMENSIONS				PART NO: FS-CI0085-AA		REV	A		
ASSEMBLY	MG	DENSITY (g/mm³)				DRAWN BY	GANESHE	DATE	30-05-2016		
MODEL	--	MASS (Kg)				CHECKED BY	<i>As</i>	DATE	26-4-23		
DO NOT MEASURE FROM DRAWING REMOVE BURRS & SHARP EDGES		THIRD ANGLE PROJECTION				APPD BY	<i>As</i>	DATE	28/4/23		
SCALE:5:1	TITLE	SCREW MS M3X8 WITH WASHER					SHEET SIZE	A4	SHEET 1 OF 1		