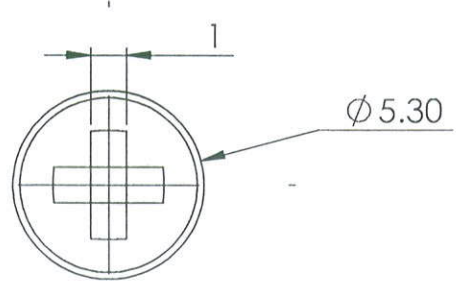
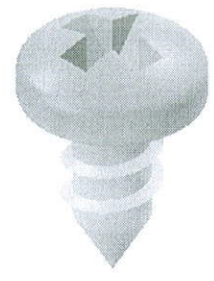


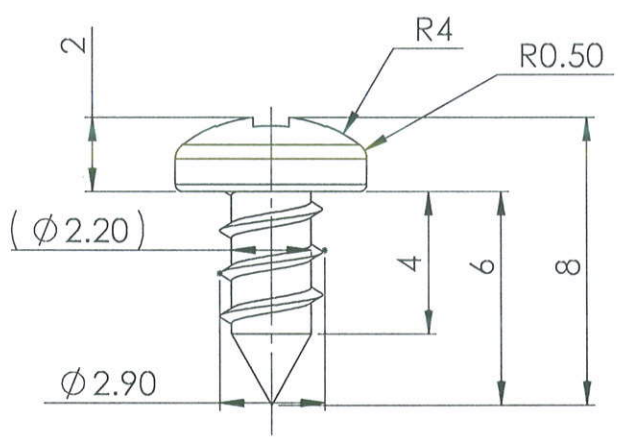
PART NO	REV
FS-CI0084-AA	A



TOP VIEW



ISOMETRIC VIEW



FRONT VIEW

A	DRAWING RELEASE	--	--	--	30-05-2016
REV	DESCRIPTION OF CHANGE	LOC	BY	E.N.	DATE

ALL DIMENSIONS ARE IN "mm"

GENERAL TOLERANCES					
DIMENSIONS	0.5/6	6/30	30/120	120/400	400/1000

ALL RIGHTS RESERVED  
**MAYA APPLIANCES(P) LTD,**  
 CHENNAI-97  
 INDIA.

TOLERANCES ±	0.1	0.2	0.3	0.4	0.8	MATERIAL	MS	GRADE	--
--------------	-----	-----	-----	-----	-----	----------	----	-------	----

ANGULAR TOLERANCES ±1/2	CONCENTRICITY- Ø 0.1					COLOUR	NATURAL	FINISH	--
-------------------------	----------------------	--	--	--	--	--------	---------	--------	----

REFERENCE	--	* CRITICAL DIMENSIONS	PART NO: FS-CI0084-AA			REV	A
-----------	----	-----------------------	-----------------------	--	--	-----	---

ASSEMBLY	MG	DENSITY (g/mm <sup>3</sup> )	DRAWN BY		GANESHE	DATE	30-05-2016
----------	----	------------------------------	----------	--	---------	------	------------

MODEL	--	MASS (Kg)	CHECKED BY		<i>Ashok</i>	DATE	26/4/23
-------	----	-----------	------------	--	--------------	------	---------

DO NOT MEASURE FROM DRAWING REMOVE BURRS & SHARP EDGES	THIRD ANGLE PROJECTION		APPD BY		<i>Ashok</i>	DATE	28/4/23
--	------------------------	--	---------	--	--------------	------	---------

SCALE:1:1	TITLE	SCREW ST 2.9X6 MS			SHEET SIZE	A4	SHEET 1 OF 1
-----------	-------	-------------------	--	--	------------	----	--------------