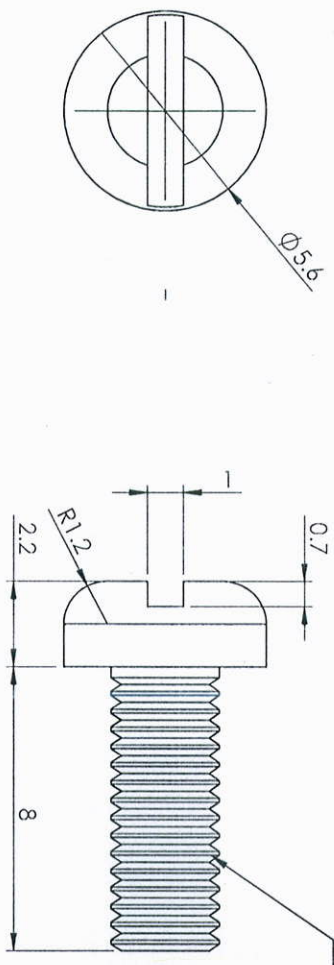


PART NO	REV
FS-C10070-AA	A



TOP VIEW

SIDE VIEW

M3X0.5mm PITCH

REV	DESCRIPTION OF CHANGE	LOC	BY	E.N	DATE
--	DRAWING RELEASE	--	M.KASI	--	24-11-2022
ALL DIMENSIONS ARE IN mm DIMENSIONS GENERAL TOLERANCES TOLERANCES ± 0.1 0.2 0.3 0.4 0.8 ANGULAR TOLERANCES ±1/2° CONCENTRICITY-φ 0.1 MATERIAL SS GRADE 304 FINISH POLISHED					
REFERENCE	CRITICAL DIMENSIONS	PART NO	FS-C10070-AA		
ASSEMBLY	DENSITY (g/mm ³)	DRAWN BY	M.KASI	DATE	24-11-2022
MODEL	MASS (Kg)	CHECKED BY		DATE	26/11/22
ALL DIMENSIONS ARE TO BE MAINTAINED UNLESS SPECIFICALLY INDICATED OTHERWISE. REMOVE BURRS & SHARP EDGES. THIRD ANGLE PROJECTION APPROVED BY: <i>[Signature]</i>					
SCALE: 1:1	TITLE	SCREW SS M3X8		SHEET SIZE	A4
					SHEET 1 OF 1

ALL RIGHTS RESERVED
MAYA APPLIANCES (P) LTD,
CHENNAI-600097
INDIA