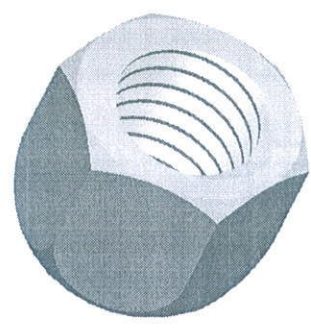
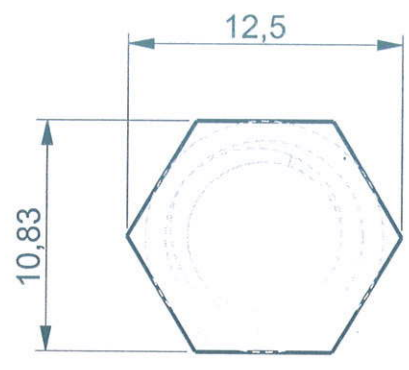
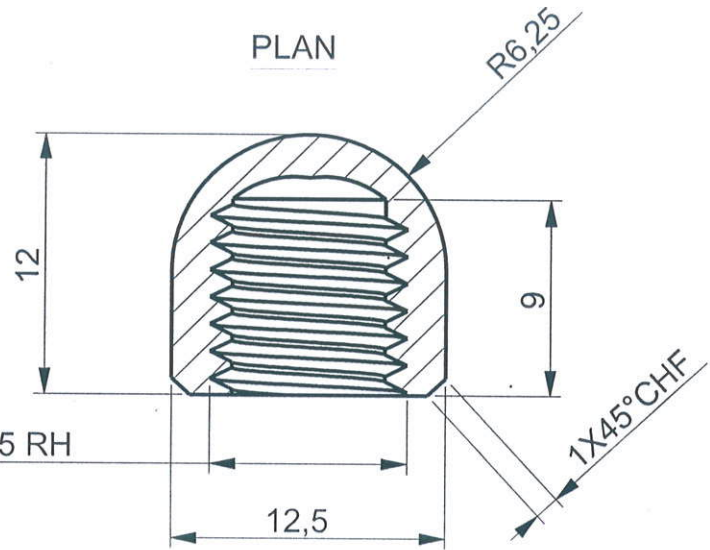


PART NO	REV
FS-CI0060-AA	



PLAN



ELEVATION

MATING PARTS
STONE HOLDER

- NOTES
1. ALL DIMENSIONS ARE IN MM.
 2. PART SHOULD BE FREE FROM BURRS & SHARP EDGES.
 3. DO NOT MEASURE FROM THE DRAWING.

REV	DESCRIPTION OF CHANGE	LOC	BY	E.N.	DATE
-----	-----------------------	-----	----	------	------

ALL DIMENSIONS ARE IN MM	GENERAL TOLERANCES					ALL RIGHTS RESERVED MAYA APPLIANCES (P) LTD, CHENNAI-97, INDIA.			
DIMENSIONS	0.5/6	6/30	30/120	120/400	400/1000	MATERIAL	BRASS	GRADE	---
TOLERANCES ±	0.1	0.2	0.3	0.4	0.8	COLOUR	SILVER	FINISH	CHROME PLATED
ANGULAR TOLERANCE- ±1/2°	CONCENTRICITY- Ø0.1								

REFERENCE	* CRITICAL DIMENSIONS.		PART NO : FS-CI0060-AA		REV	A
ASSEMBLY	TTG	DENSITY (g/mm ³)	DRAWN BY		DATE	29-5-15
MODEL		MASS (kg)	CHECKED BY		DATE	28-12-23
DO NOT MEASURE FROM DRAWING		THIRD ANGLE PROJECTION	APPD BY		DATE	19/1/24
SCALE	TITLE	DOME NUT M8			SHEET SIZE	SHEET OF
					A4	1 OF 1