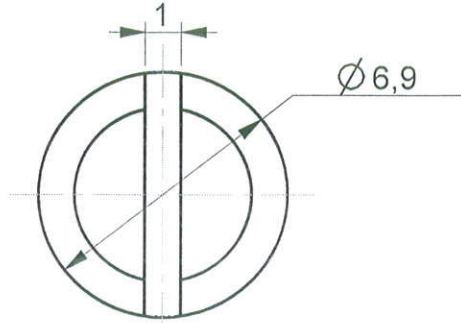


1

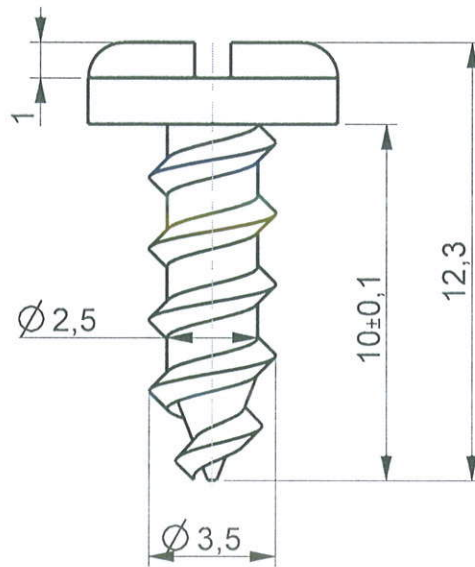
2

3

PART NO	REV
FS-CI0050-AA	AA



TOP VIEW



ELEVATION

MATING PARTS
CAPACITOR
BOTTOM COVER
PP WASHER

AA	DRAWING RELEASE	--	KRS	--	
REV	DESCRIPTION OF CHANGE	LOC	BY	E.N.	DATE

ALL DIMENSIONS ARE IN MM

GENERAL TOLERANCES

ALL RIGHTS RESERVED
MAYA APPLIANCES (P) LTD,
 CHENNAI-97,
 INDIA.

DIMENSIONS	$\frac{0.5}{6}$	$\frac{6}{30}$	$\frac{30}{120}$	$\frac{120}{400}$	$\frac{400}{1000}$	MATERIAL	MS	GRADE	--
TOLERANCES \pm	0.1	0.2	0.3	0.4	0.8	COLOUR	--	FINISH	POLISHED

ANGULAR TOLERANCE- $\pm 1/2^\circ$	CONCENTRICITY- $\phi 0.1$	COLOUR	--	FINISH	POLISHED
------------------------------------	---------------------------	--------	----	--------	----------

REFERENCE	--	* CRITICAL DIMENSIONS.	PART NO : FS-CI0050-AA	REV	AA
-----------	----	------------------------	-------------------------------	------------	----

ASSEMBLY	COMMON	DENSITY (g/mm ³)	--	DRAWN BY		DATE	
----------	--------	------------------------------	----	----------	--	------	--

MODEL	--	MASS (kg)	--	CHECKED BY	<i>As. Jyo</i>	DATE	26-6-23
-------	----	-----------	----	------------	----------------	------	---------

DO NOT MEASURE FROM DRAWING REMOVE BURRS & SHARP EDGES	THIRD ANGLE PROJECTION	APPD BY	<i>As. Jyo</i>	DATE	28/4/23
--	------------------------	---------	----------------	------	---------

SCALE	TITLE	SCREW ST 3.5X10-MS	SHEET SIZE	SHEET OF
5.000			A4	1 OF 1

1

2

3