

1

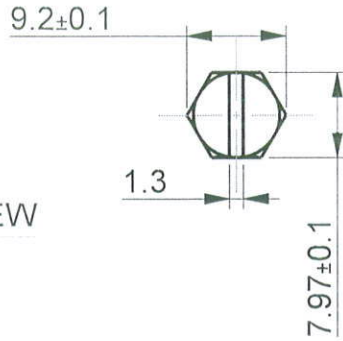
2

3

PART NO	REV
FS-CI0047-AA	AA

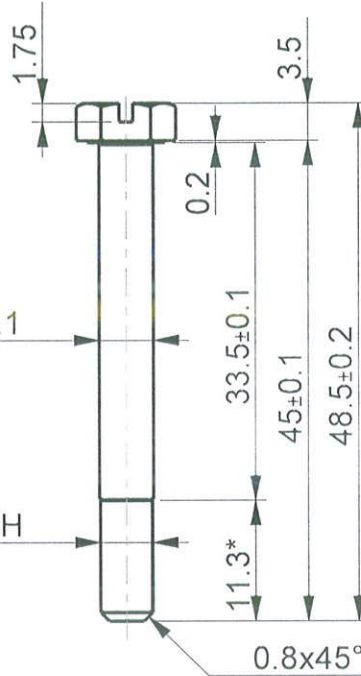
A

TOP VIEW



A

B



ELEVATION

B

C

MATING PARTS
TOP CASING
BOTTOM CASING
M5 NUT
M5 WASHER
RUBBER LEG

C

AA	DRAWING RELEASE	--	KRS	--	
REV	DESCRIPTION OF CHANGE	LOC	BY	E.N.	DATE

D

ALL DIMENSIONS ARE IN MM	GENERAL TOLERANCES					ALL RIGHTS RESERVED MAYA APPLIANCES (P) LTD, CHENNAI-97, INDIA.			
DIMENSIONS	$\frac{0.5}{6}$	$\frac{6}{30}$	$\frac{30}{120}$	$\frac{120}{400}$	$\frac{400}{1000}$	MATERIAL	MS	GRADE	--
TOLERANCES $\pm$	0.1	0.2	0.3	0.4	0.8	COLOUR	YELLOW	FINISH	ZINC PLATED
ANGULAR TOLERANCE- $\pm 1/2^\circ$	CONCENTRICITY- $\varnothing 0.1$								

D

E

REFERENCE	--	* CRITICAL DIMENSIONS.	PART NO : FS-CI0047-AA		REV	AA
ASSEMBLY	COMMON	DENSITY (g/mm <sup>3</sup> )	--	DRAWN BY		DATE
MODEL	--	MASS (kg)	--	CHECKED BY	<i>A. J. Rao</i>	DATE
DO NOT MEASURE FROM DRAWING REMOVE BURRS & SHARP EDGES		THIRD ANGLE PROJECTION		APPD BY	<i>K. S. Chetty</i>	DATE
SCALE	TITLE	BOLT MS M5X45			SHEET SIZE	SHEET OF
1.500					A4	1 OF 1

E

1

2

3