

1

2

3

PART NO

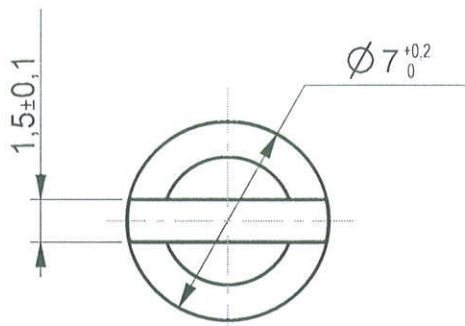
REV

FS-CI0043-AA

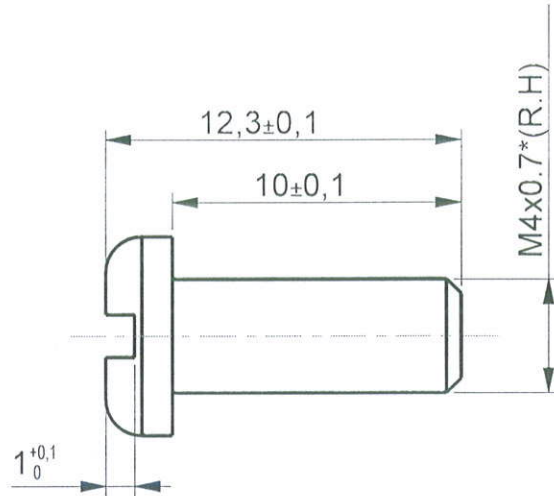
AA

A

A



PLAN



SIDE VIEW

B

B

C

C

MATING PARTS
TOP COVER
BOTTOM COVER
GEAR BOX
TOP CASING

AA	DRAWING RELEASE	-	KRS	--	
REV	DESCRIPTION OF CHANGE	LOC	BY	E.N.	DATE

ALL DIMENSIONS ARE IN MM

GENERAL TOLERANCES

ALL RIGHTS RESERVED
MAYA APPLIANCES (P) LTD,
 CHENNAI-97,
 INDIA.

DIMENSIONS	$\frac{0.5}{6}$	$\frac{6}{30}$	$\frac{30}{120}$	$\frac{120}{400}$	$\frac{400}{1000}$
------------	-----------------	----------------	------------------	-------------------	--------------------

TOLERANCES ±	0.1	0.2	0.3	0.4	0.8	MATERIAL	SS	GRADE	304
--------------	-----	-----	-----	-----	-----	----------	----	-------	-----

ANGULAR TOLERANCE- ±1/2°	CONCENTRICITY- ϕ 0.1	COLOUR	NATURAL	FINISH	POLISHED
--------------------------	---------------------------	--------	---------	--------	----------

REFERENCE	--	* CRITICAL DIMENSIONS.	PART NO : FS-CI0043-AA		REV	AA
-----------	----	------------------------	------------------------	--	-----	----

ASSEMBLY	COMMON	DENSITY (g/mm ³)	--	DRAWN BY		DATE	
----------	--------	------------------------------	----	----------	--	------	--

MODEL	--	MASS (kg)	--	CHECKED BY	<i>A.S. Singh</i>	DATE	26/4/23
-------	----	-----------	----	------------	-------------------	------	---------

DO NOT MEASURE FROM DRAWING REMOVE BURRS & SHARP EDGES	THIRD ANGLE PROJECTION	APPD BY	<i>M. Dehoy</i>	DATE	28/4/23
--	------------------------	---------	-----------------	------	---------

SCALE	4.000	TITLE	SCREW SS M4X10	SHEET SIZE	A4	SHEET OF	1 OF 1
-------	-------	-------	----------------	------------	----	----------	--------

1

2

3

D

D

E

E