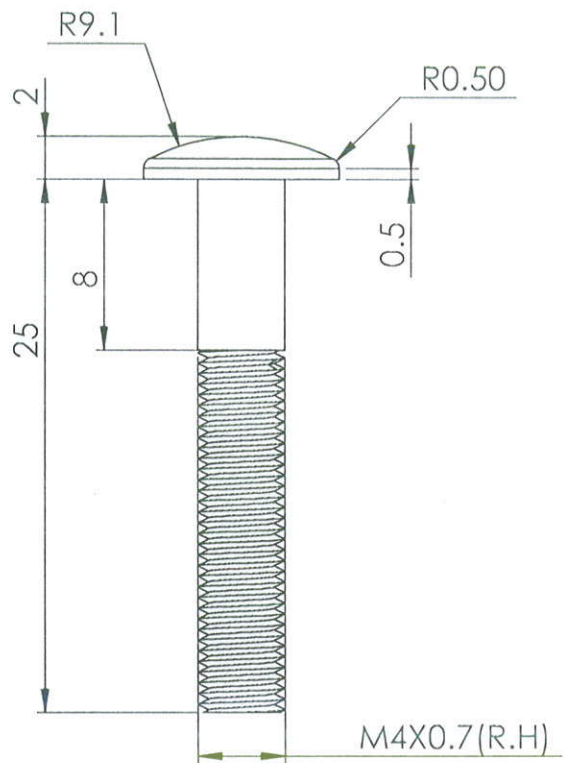
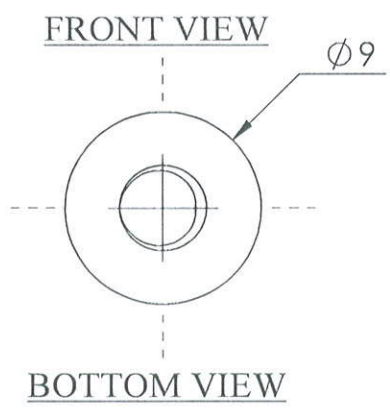


PART NO	REV
FS-CI0039-AA	A



ISOMETRIC VIEW



A	DRAWING RELEASE	-	-	-	23-02-2017
REV	DESCRIPTION OF CHANGE	LOC	BY	E.N.	DATE

ALL DIMENSIONS ARE IN "mm"		GENERAL TOLERANCES				ALL RIGHTS RESERVED MAYA APPLIANCES(P) LTD, CHENNAI-97 INDIA.					
DIMENSIONS		0.5 6	6 30	30 120	120 400	400 1000	MATERIAL		SS	GRADE	304
TOLERANCES ±		0.1	0.2	0.3	0.4	0.8	COLOUR		NATURAL	FINISH	POLISHED
ANGULAR TOLERANCES ±1/2°		CONCENTRICITY- φ 0.1				PART NO:		FS-CI0039-AA		REV	A
REFERENCE	--	* CRITICAL DIMENSIONS		DRAWN BY		GANESHLE		DATE	23-02-2017		
ASSEMBLY	COMMON	DENSITY (g/mm ³)	--	CHECKED BY		7-5-20		DATE	26-4-23		
MODEL	--	MASS (Kg)	--	APPD BY		Sreejey		DATE	28/4/23		
DO NOT MEASURE FROM DRAWING REMOVE BURRS & SHARP EDGES		THIRD ANGLE PROJECTION		SHEET SIZE		A4		SHEET 1 OF 1			
SCALE:3:1	TITLE	SS SCREW ROUND HEAD M4X25				SHEET SIZE		A4		SHEET 1 OF 1	