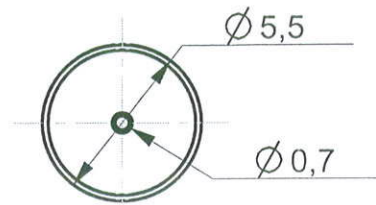


1

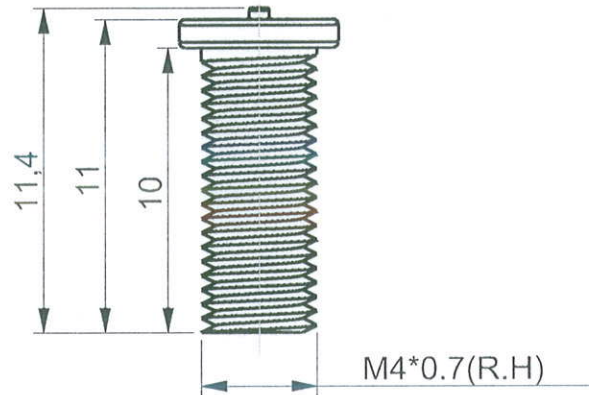
2

3

PART NO	REV
FS-CI0038-AB	A



TOP VIEW



ELEVATION

MATING PARTS
PC DRUM
DISC DIA ϕ 233.5 SS

NOTES

- 1.ALL DIMENSIONS ARE IN MM.
- 2.PART SHOULD BE FREE FROM BURRS & SHARP EDGES.
- 3.DO NOT MEASURE FROM THE DRAWING.

A	DRAWING RELEASE	--	KRS	--	
REV	DESCRIPTION OF CHANGE	LOC	BY	E.N.	DATE

ALL DIMENSIONS
ARE IN MM

GENERAL TOLERANCES

ALL RIGHTS RESERVED
MAYA APPLIANCES (P) LTD,
 CHENNAI-97,
 INDIA.

DIMENSIONS	$\frac{0.5}{6}$	$\frac{6}{30}$	$\frac{30}{120}$	$\frac{120}{400}$	$\frac{400}{1000}$
------------	-----------------	----------------	------------------	-------------------	--------------------

TOLERANCES \pm	0.1	0.2	0.3	0.4	0.8
------------------	-----	-----	-----	-----	-----

MATERIAL	SS	GRADE	SS 304
----------	----	-------	--------

ANGULAR TOLERANCE- $\pm 1/2^\circ$	CONCENTRICITY- $\phi 0.1$	COLOUR	NATURAL	FINISH	POLISHED
------------------------------------	---------------------------	--------	---------	--------	----------

REFERENCE	--	* CRITICAL DIMENSIONS.	PART NO : FS-CI0038-AB	REV	A
-----------	----	---------------------------	------------------------	-----	---

ASSEMBLY	COMMON	DENSITY (g/mm ³)	--	DRAWN BY	DATE
----------	--------	---------------------------------	----	----------	------

MODEL	--	MASS (kg)	--	CHECKED BY	DATE	29-4-23
-------	----	--------------	----	------------	------	---------

DO NOT MEASURE FROM DRAWING	THIRD ANGLE PROJECTION		APPD BY	DATE	2/5/23
-----------------------------	---------------------------	--	---------	------	--------

SCALE 4.000	TITLE	STUD WELD SCREW M4X10(DIMPLED) 0.4MM	SHEET SIZE A4	SHEET OF 1 OF 1
----------------	-------	--------------------------------------	------------------	--------------------

1

2

3