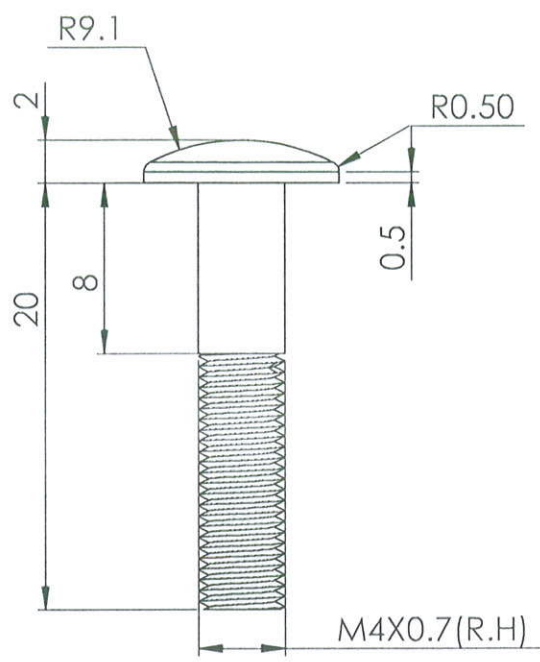
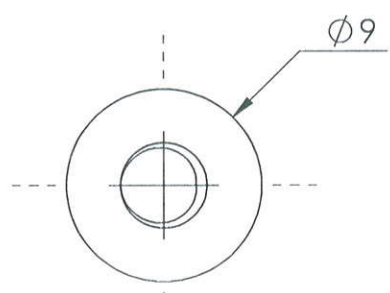


| | |
|--------------|-----|
| PART NO | REV |
| FS-CI0037-AA | A |



ISOMETRIC VIEW

FRONT VIEW



BOTTOM VIEW

| | | | | | |
|-----|-----------------------|-----|----|------|------------|
| A | DRAWING RELEASE | - | - | - | 23-02-2017 |
| REV | DESCRIPTION OF CHANGE | LOC | BY | E.N. | DATE |

| | | | | | | | | | | | |
|--|--------|------------------------------|----------------|---------------------------|-------------------|---|----------|--------------|---------|--------|----------|
| ALL DIMENSIONS ARE IN "mm" | | GENERAL TOLERANCES | | | | ALL RIGHTS RESERVED MAYA APPLIANCES(P) LTD, CHENNAI-97 INDIA. | | | | | |
| DIMENSIONS | | $\frac{0.5}{6}$ | $\frac{6}{30}$ | $\frac{30}{120}$ | $\frac{120}{400}$ | $\frac{400}{1000}$ | MATERIAL | | SS | GRADE | 304 |
| TOLERANCES \pm | | 0.1 | 0.2 | 0.3 | 0.4 | 0.8 | COLOUR | | NATURAL | FINISH | POLISHED |
| ANGULAR TOLERANCES $\pm 1/2^\circ$ | | CONCENTRICITY- ϕ 0.1 | | | | PART NO: | | FS-CI0037-AA | REV | A | |
| REFERENCE | -- | * CRITICAL DIMENSIONS | | DRAWN BY | | GANESHE | DATE | 23-02-2017 | | | |
| ASSEMBLY | COMMON | DENSITY (g/mm ³) | -- | CHECKED BY | | <i>A. S. Somy</i> | DATE | 26-4-23 | | | |
| MODEL | -- | MASS (Kg) | -- | APPD BY | | <i>S. S. Somy</i> | DATE | 28/4/23 | | | |
| DO NOT MEASURE FROM DRAWING REMOVE BURRS & SHARP EDGES | | THIRD ANGLE PROJECTION | | SHEET SIZE | | A4 | | SHEET 1 OF 1 | | | |
| SCALE:3:1 | | TITLE | | SS SCREW ROUND HEAD M4X20 | | | | | | | |