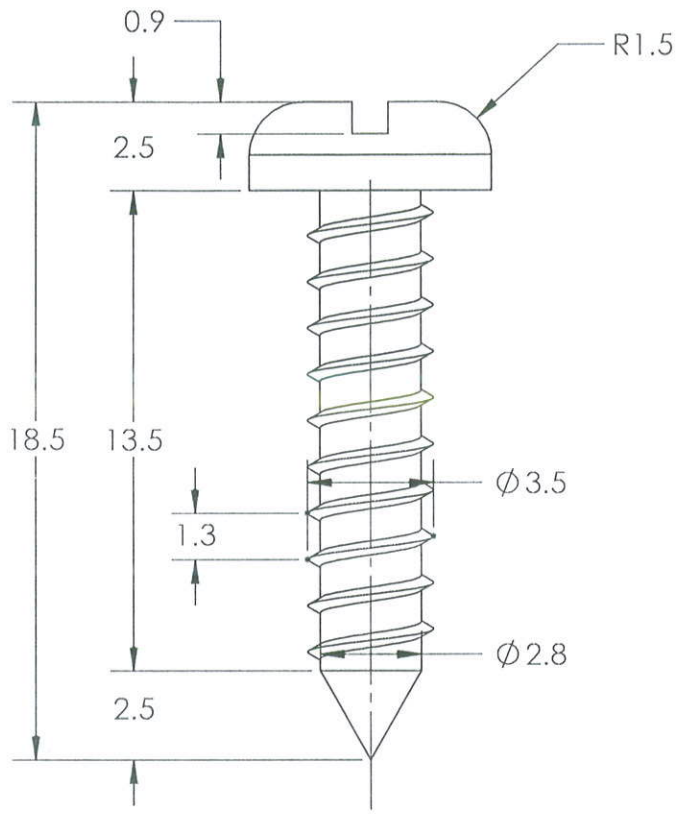
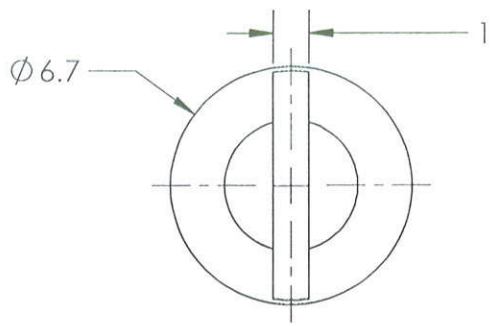


PART NO	REV
FS-CI0035-AA	A



A	DRAWING RELEASE	--	--	--	16-10-2015
REV	DESCRIPTION OF CHANGE	LOC	BY	E.N.	DATE

ALL DIMENSIONS ARE IN "mm"

GENERAL TOLERANCES					
DIMENSIONS	0.5/6	6/30	30/120	120/400	400/1000
TOLERANCES ±	0.1	0.2	0.3	0.4	0.8

ALL RIGHTS RESERVED
MAYA APPLIANCES(P) LTD,
 CHENNAI-97
 INDIA.

MATERIAL	MS	GRADE	--
COLOUR	YELLOW&WHITE	FINISH	ZINC PLATED

REFERENCE	--	* CRITICAL DIMENSIONS	PART NO: FS-CI0035-AA	REV	A
-----------	----	-----------------------	-----------------------	-----	---

ASSEMBLY	WG	DENSITY (g/mm ³)	--	DRAWN BY	GANESH.E	DATE	16-10-2015
----------	----	------------------------------	----	----------	----------	------	------------

MODEL	--	MASS (Kg)	--	CHECKED BY	<i>7-5-20</i>	DATE	<i>26-4-23</i>
-------	----	-----------	----	------------	---------------	------	----------------

DO NOT MEASURE FROM DRAWING REMOVE BURRS & SHARP EDGES	THIRD ANGLE PROJECTION	APPD BY	<i>7-5-20</i>	DATE	<i>28/4/23</i>
--	------------------------	---------	---------------	------	----------------

SCALE:5:1	TITLE	SCREW ST 3.5X16		SHEET SIZE	A4	SHEET 1 OF 1
-----------	-------	-----------------	--	------------	----	--------------