

1

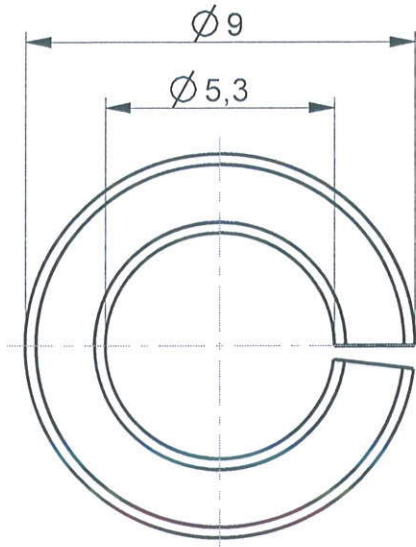
2

3

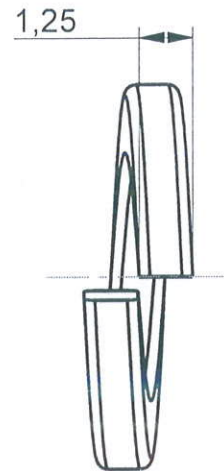
PART NO	REV
FS-CI0034-AA	AA

A

A



ELEVATION



SIDE VIEW

MATING PARTS
M5 X 80 BOLT

B

B

C

C

NOTES

1. ALL DIMENSIONS ARE IN MM.
2. PART SHOULD BE FREE FROM BURRS & SHARP EDGES.
3. DO NOT MEASURE FROM THE DRAWING.

AA	DRAWING RELEASE	--	KRS	--	
REV	DESCRIPTION OF CHANGE	LOC	BY	E.N.	DATE

ALL DIMENSIONS ARE IN MM

GENERAL TOLERANCES

ALL RIGHTS RESERVED
MAYA APPLIANCES (P) LTD,
 CHENNAI-97,
 INDIA.

DIMENSIONS	$\frac{0.5}{6}$	$\frac{6}{30}$	$\frac{30}{120}$	$\frac{120}{400}$	$\frac{400}{1000}$
------------	-----------------	----------------	------------------	-------------------	--------------------

TOLERANCES \pm	0.1	0.2	0.3	0.4	0.8
------------------	-----	-----	-----	-----	-----

MATERIAL	SPRING STEEL	GRADE	--
----------	--------------	-------	----

ANGULAR TOLERANCE- $\pm 1/2^\circ$	CONCENTRICITY- $\varnothing 0.1$	COLOUR	YELLOW	FINISH	PLATED
------------------------------------	----------------------------------	--------	--------	--------	--------

REFERENCE	--	* CRITICAL DIMENSIONS.		PART NO :	FS-CI0034-AA	REV	AA
-----------	----	------------------------	--	-----------	--------------	-----	----

ASSEMBLY	COMMON	DENSITY (g/mm ³)	--	DRAWN BY		DATE	20-5-15
----------	--------	------------------------------	----	----------	--	------	---------

MODEL	--	MASS (kg)	--	CHECKED BY	<i>A.S. M</i>	DATE	27-1-23
-------	----	-----------	----	------------	---------------	------	---------

DO NOT MEASURE FROM DRAWING	THIRD ANGLE PROJECTION		APPD BY	<i>Achary</i>	DATE	6/2/23
-----------------------------	------------------------	--	---------	---------------	------	--------

SCALE	6.000	TITLE	SPRING WASHER 5 MM	SHEET SIZE	A4	SHEET OF	1 OF 1
-------	-------	-------	--------------------	------------	----	----------	--------

1

2

3

D

D

E

E