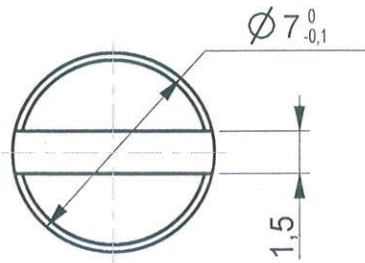


1

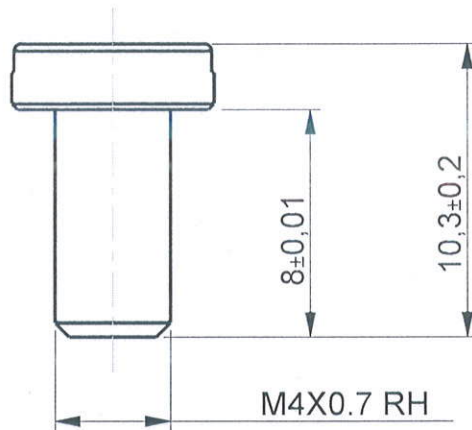
2

3

PART NO	REV
FS-CI0027-AA	AA



TOP VIEW



ELEVATION

## NOTES

1. ALL DIMENSIONS ARE IN MM.
2. PART SHOULD BE FREE FROM BURRS & SHARP EDGES.
3. DO NOT MEASURE FROM THE DRAWING.

MATING PARTS
STONE HOLDER
WIPER ROD

AA	DRAWING RELEASE				--	KRS	--	
REV	DESCRIPTION OF CHANGE				LOC	BY	E.N.	DATE
ALL DIMENSIONS ARE IN MM		GENERAL TOLERANCES				ALL RIGHTS RESERVED		
DIMENSIONS		0.5 6	6 30	30 120	120 400	400 1000	MAYA APPLIANCES (P) LTD, CHENNAI-97, INDIA.	
TOLERANCES ±		0.1	0.2	0.3	0.4	0.8	MATERIAL	SS
ANGULAR TOLERANCE- ±1/2°		CONCENTRICITY- Ø0.1			COLOUR	NATURAL	GRADE	304
FINISH		POLISHED			FINISH	POLISHED		
REFERENCE	--	* CRITICAL DIMENSIONS.			PART NO : FS-CI0027-AA		REV	AA
ASSEMBLY	COMMON	DENSITY (g/mm <sup>3</sup> )	--		DRAWN BY	DATE		
MODEL	--	MASS (kg)	--		CHECKED BY	DATE		22-1-23
DO NOT MEASURE FROM DRAWING		THIRD ANGLE PROJECTION			APPD BY	DATE		6/2/23
SCALE	TITLE	SCREW M4X8-SS				SHEET SIZE	SHEET OF	
4.000						A4	1 OF 1	

1

2

3