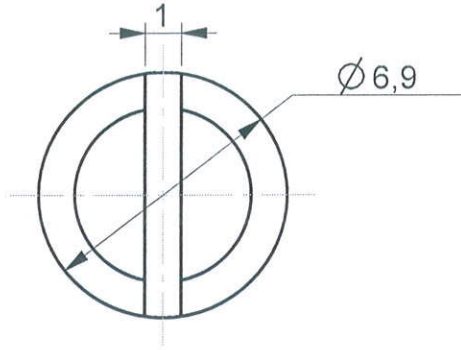


1

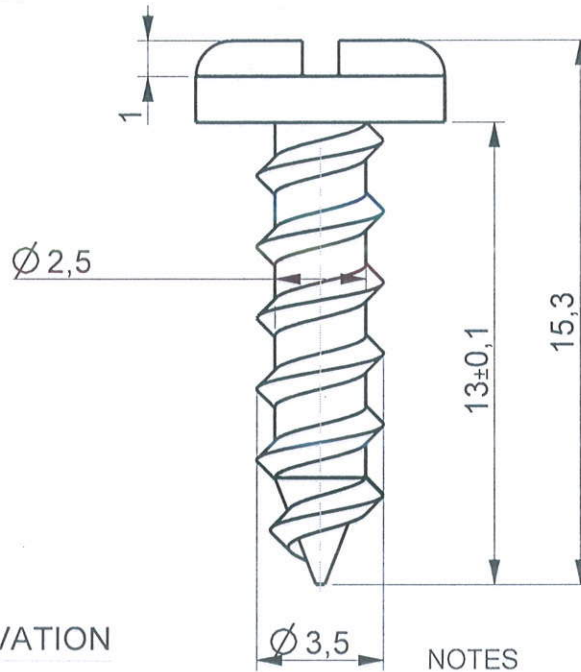
2

3

PART NO	REV
FS-CI0025-AA	A



TOP VIEW



ELEVATION

NOTES

1. ALL DIMENSIONS ARE IN MM.
2. PART SHOULD BE FREE FROM BURRS & SHARP EDGES.
3. DO NOT MEASURE FROM THE DRAWING.

MATING PARTS
CAPACITOR
BOTTOM COVER
PP WASHER

AA	DRAWING RELEASE	--	KRS	--	
REV	DESCRIPTION OF CHANGE	LOC	BY	E.N.	DATE

ALL DIMENSIONS ARE IN MM

GENERAL TOLERANCES

ALL RIGHTS RESERVED
MAYA APPLIANCES (P) LTD,
 CHENNAI-97,
 INDIA.

DIMENSIONS

$\frac{0.5}{6}$	$\frac{6}{30}$	$\frac{30}{120}$	$\frac{120}{400}$	$\frac{400}{1000}$
-----------------	----------------	------------------	-------------------	--------------------

TOLERANCES \pm

0.1	0.2	0.3	0.4	0.8
-----	-----	-----	-----	-----

MATERIAL

MS

GRADE

--

ANGULAR TOLERANCE- $\pm 1/2^\circ$ CONCENTRICITY- $\phi 0.1$

COLOUR

WHITE

FINISH

ZINC PLATED

REFERENCE

--

* CRITICAL DIMENSIONS.

PART NO : FS-CI0025-AA

REV A

ASSEMBLY

COMMON

DENSITY
(g/mm³)

--

DRAWN BY

DATE

MODEL

--

MASS
(kg)

--

CHECKED BY

DATE

27-1-23

DO NOT MEASURE FROM DRAWING

THIRD ANGLE
PROJECTION

APPD BY

DATE

6/2/23

SCALE

5.000

TITLE

SCREW ST 3.5X13 MS

SHEET SIZE

A4

SHEET OF

1 OF 1

1

2

3