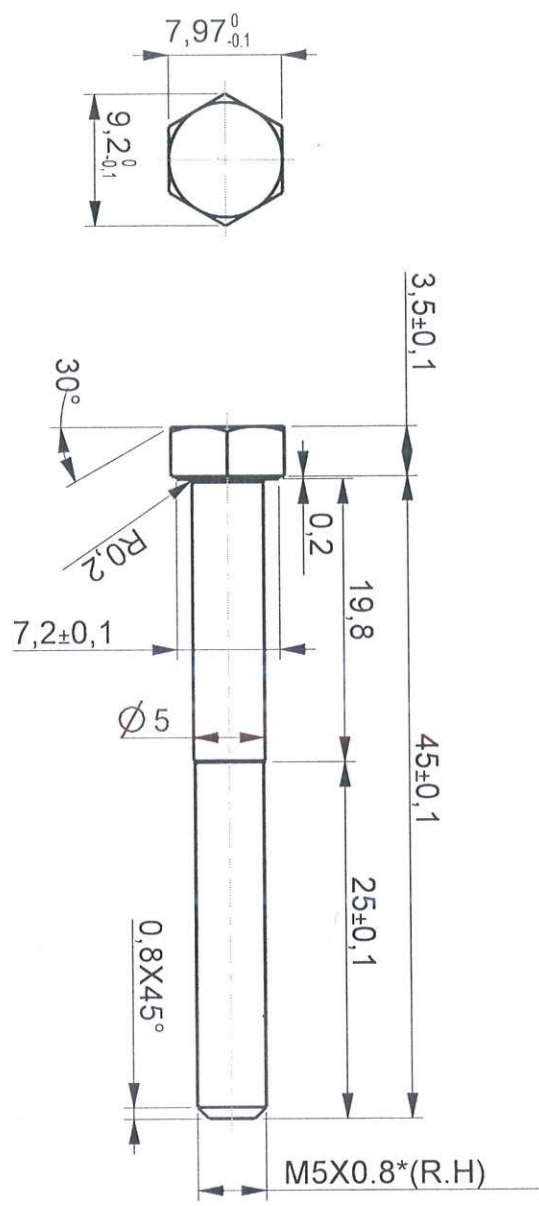


PART NO	REV
FS-CI0022-AA	AA



TOP VIEW

SIDE VIEW

- MATING PARTS
- TOP CASING
- BOTTOM CASING
- M5 NUT
- M5 WASHER
- RUBBER LEG

NOTES
 1. ALL DIMENSIONS ARE IN MM.
 2. PART SHOULD BE FREE FROM BURRS & SHARP EDGES.
 3. DO NOT MEASURE FROM THE DRAWING.

AA	DRAWING RELEASE		--	KRS	--	
REV	DESCRIPTION OF CHANGE		LOC	BY	E.N.	DATE

ALL DIMENSIONS ARE IN MM		GENERAL TOLERANCES				MAYA APPLIANCES (P) LTD, CHENNAI-97, INDIA.			
DIMENSIONS	0.5 6	6 30	30 120	120 400	400 1000	MATERIAL	MS	GRADE	--
TOLERANCES ±	0.1	0.2	0.3	0.4	0.8	COLOUR	YELLOW	FINISH	NICKEL PLATED
ANGULAR TOLERANCE- ±1/2°	CONCENTRICITY- Ø0.1					PART NO :	FS-CI0022-AA	REV	AA

REFERENCE	--	* CRITICAL DIMENSIONS.		PART NO :		FS-CI0022-AA	REV	AA
ASSEMBLY	COMMON	DENSITY (g/mm ³)	--	DRAWN BY		DATE		
MODEL	--	MASS (kg)	--	CHECKED BY	<i>As-09</i>	DATE	<i>20-1-23</i>	
DO NOT MEASURE FROM DRAWING		THIRD ANGLE PROJECTION		APPD BY	<i>As-09</i>	DATE	<i>23/1/23</i>	

SCALE	2.000	TITLE	BOLT MS M5X50	SHEET SIZE	A4	SHEET OF	1 OF 1
-------	-------	-------	---------------	------------	----	----------	--------

1

2

3