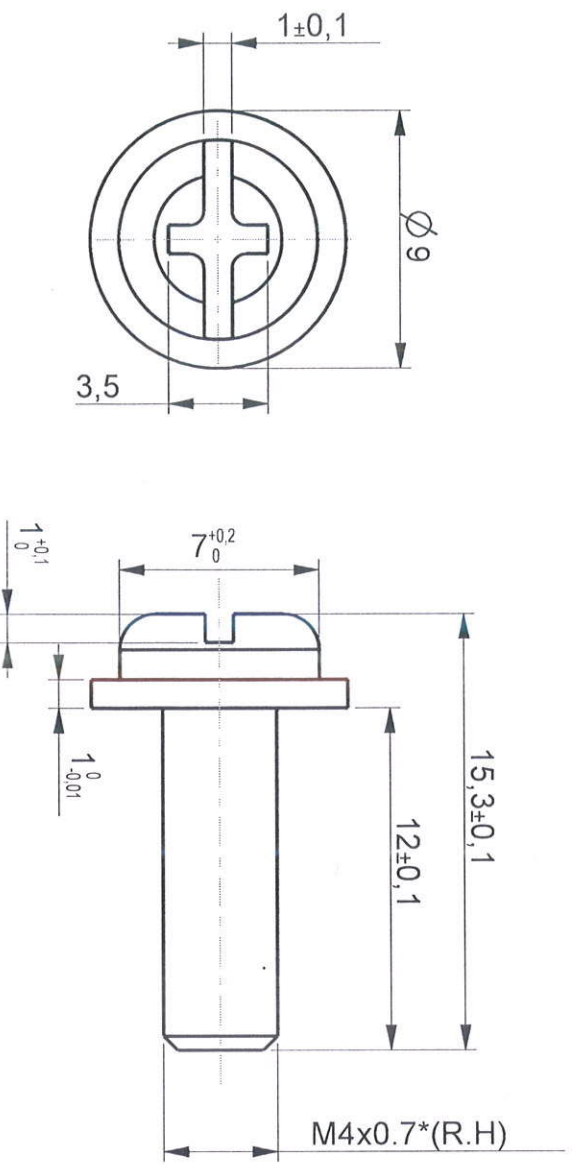


PART NO	REV
FS-C10021-AA	AA



PLAN

SIDE VIEW

- MATING PARTS
- TOP COVER
- BOTTOM COVER
- GEAR BOX
- TOP CASING

NOTES  
 1. ALL DIMENSIONS ARE IN MM.  
 2. PART SHOULD BE FREE FROM BURRS & SHARP EDGES.  
 3. DO NOT MEASURE FROM THE DRAWING.

AA	DRAWING RELEASE	-	KRS	--	
REV	DESCRIPTION OF CHANGE	LOC	BY	E.N.	DATE

ALL DIMENSIONS ARE IN MM		GENERAL TOLERANCES				MAYA APPLIANCES (P) LTD, CHENNAI-97, INDIA.				
DIMENSIONS	0.5 6	6 30	30 120	120 400	400 1000	MATERIAL		MS	GRADE	--
TOLERANCES ±	0.1	0.2	0.3	0.4	0.8	COLOUR		YELLOW	FINISH	NICKEL PLATED
ANGULAR TOLERANCE- ±1/2°	CONCENTRICITY- Ø0.1					PART NO :		FS-C10021-AA	REV	AA

REFERENCE	--	* CRITICAL DIMENSIONS.		DRAWN BY		DATE
ASSEMBLY	COMMON	DENSITY (g/mm <sup>3</sup> )	--	CHECKED BY	<i>A.S.M</i>	DATE
MODEL	--	MASS (kg)	--	APPD BY	<i>[Signature]</i>	DATE
DO NOT MEASURE FROM DRAWING		THIRD ANGLE PROJECTION				

SCALE	4.000	TITLE	SCREW M4X12 WASHER HEAD-MS	SHEET SIZE	A4	SHEET OF	1 OF 1
-------	-------	-------	----------------------------	------------	----	----------	--------