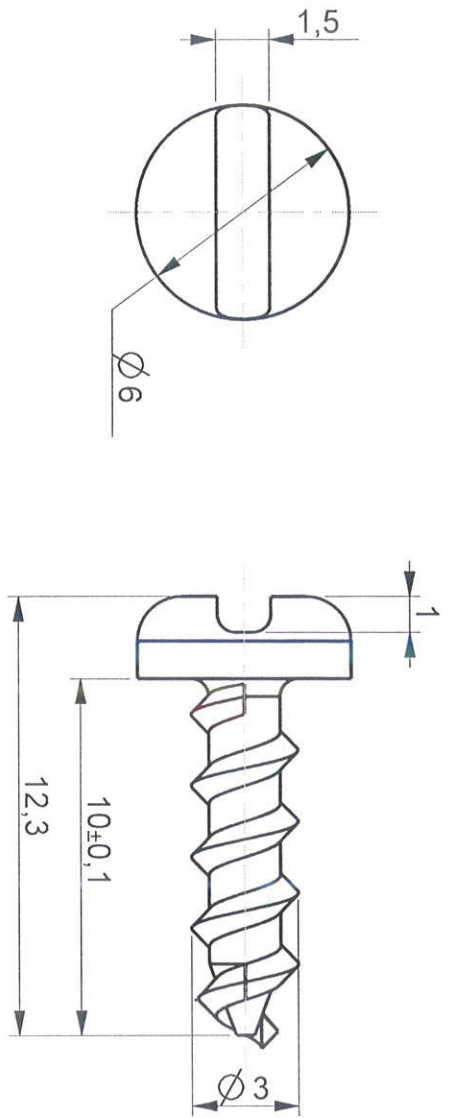


PART NO	REV
FS-CI0019-AA	AA



MATING PARTS
CAPACITOR
BOTTOM COVER
PP WASHER

NOTES
 1. ALL DIMENSIONS ARE IN MM.
 2. PART SHOULD BE FREE FROM BURRS & SHARP EDGES.
 3. DO NOT MEASURE FROM THE DRAWING.

AA	DRAWING RELEASE	--	KRS	--	
REV	DESCRIPTION OF CHANGE	LOC	BY	E.N.	DATE

ALL DIMENSIONS ARE IN MM		GENERAL TOLERANCES				MAYA APPLIANCES (P) LTD, CHENNAI-97, INDIA.				ALL RIGHTS RESERVED	
DIMENSIONS	0.5 6	6 30	30 120	120 400	400 1000	PART NO : FS-CI0019-AA		REV AA		NICKEL PLATED	
TOLERANCES ±	0.1	0.2	0.3	0.4	0.8	COLOUR	WHITE	FINISH			
ANGULAR TOLERANCE- ±1/2°	CONCENTRICITY- Ø0.1					MATERIAL	MS	GRADE			

REFERENCE	--	* CRITICAL DIMENSIONS.		PART NO : FS-CI0019-AA		REV AA	
ASSEMBLY	COMMON	DENSITY (g/mm ³)	--	DRAWN BY		DATE	27-3-14
MODEL	--	MASS (kg)	--	CHECKED BY	<i>A. S. G.</i>	DATE	20-1-23
DO NOT MEASURE FROM DRAWING		THIRD ANGLE PROJECTION		APPD BY	<i>M. S. R.</i>	DATE	23/1/23

SCALE	5.000	TITLE	M3 SELF-TAP SCREW WASHER HEADED MS	SHEET SIZE	A4	SHEET OF	1 OF 1
1		2		3			