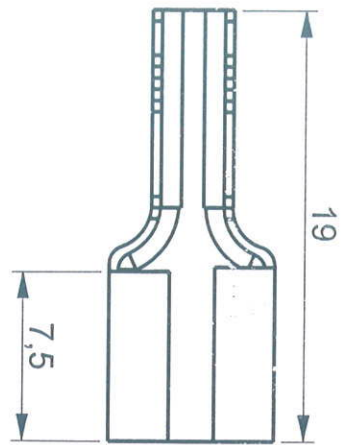
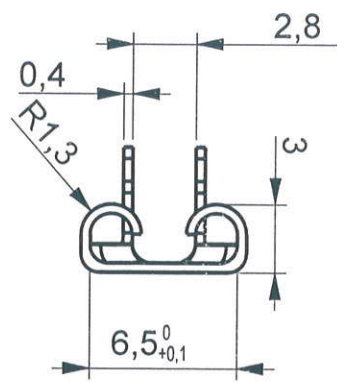


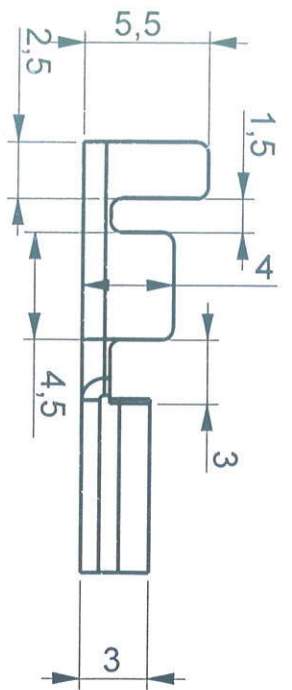
PART NO	REV
FS-CI0015-AA	AA



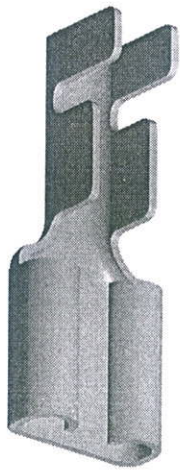
ELEVATION



SIDE VIEW



BOTTOM VIEW



MATING PARTS
MOTOR ASSY
IM 90W WG

NOTES
 1. ALL DIMENSIONS ARE IN MM.
 2. PART SHOULD BE FREE FROM BURRS & SHARP EDGES.
 3. DO NOT MEASURE FROM THE DRAWING.

AA	DRAWING RELEASE	--	KRS	--											
REV	DESCRIPTION OF CHANGE	LOC	BY	E.N.	DATE										
ALL DIMENSIONS ARE IN MM		ALL RIGHTS RESERVED MAYA APPLIANCES (P) LTD, CHENNAI-97, INDIA.													
GENERAL TOLERANCES															
DIMENSIONS	<table border="1"> <tr> <td>0.5</td> <td>6</td> <td>30</td> <td>120</td> <td>400</td> </tr> <tr> <td>6</td> <td>30</td> <td>120</td> <td>400</td> <td>1000</td> </tr> </table>					0.5	6	30	120	400	6	30	120	400	1000
0.5	6					30	120	400							
6	30					120	400	1000							
TOLERANCES ±	0.1 0.2 0.3 0.4 0.8														
ANGULAR TOLERANCE- ±1/2°	CONCENTRICITY- ϕ 0.1														
REFERENCE	--	PART NO : FS-CI0015-AA		REV	AA										
ASSEMBLY	COMMON	DENSITY (g/mm ³)	DRAWN BY	DATE											
MODEL	--	MASS (kg)	CHECKED BY	DATE											
DO NOT MEASURE FROM DRAWING		THIRD ANGLE PROJECTION	APPD BY	DATE											
SCALE	TITLE	TERMINAL CLIP 6.3 FEMALE		SHEET SIZE	SHEET OF										
3.000				A4	1 OF 1										