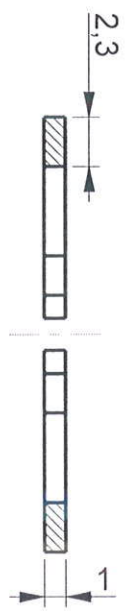
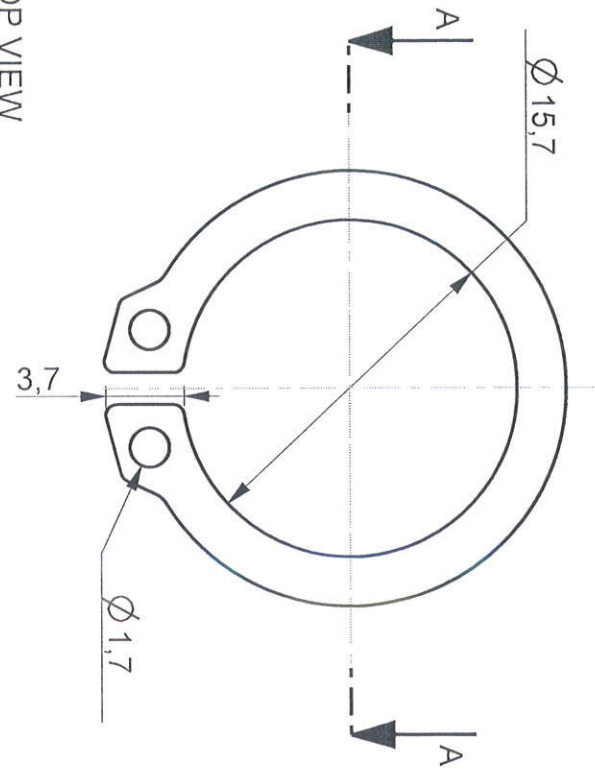


1 2 3

PART NO	REV
FS-CI0014-AA	AA

MATING PARTS
AL CEN SHAFT



TECHNICAL SPEC:
 1)FOR SHAFT SIZE=17mm
 2)HARDNESS-60 HRC

SECTION A-A

NOTES
 1.ALL DIMENSIONS ARE IN MM.
 2.PART SHOULD BE FREE FROM BURRS & SHARP EDGES.
 3.DO NOT MEASURE FROM THE DRAWING.

AA	DRAWING RELEASE	-	KRS	-	
REV	DESCRIPTION OF CHANGE	LOC	BY	E.N.	DATE

ALL DIMENSIONS ARE IN MM	GENERAL TOLERANCES	ALL RIGHTS RESERVED MAYA APPLIANCES (P) LTD, CHENNAI-97, INDIA.													
DIMENSIONS	<table border="1"> <tr> <td>0.5</td> <td>6</td> <td>30</td> <td>120</td> <td>400</td> </tr> <tr> <td>6</td> <td>30</td> <td>120</td> <td>400</td> <td>1000</td> </tr> </table>	0.5	6	30	120	400	6	30	120	400	1000	MATERIAL	SPRING STEEL	GRADE	
0.5	6	30	120	400											
6	30	120	400	1000											
TOLERANCES ±	0.1	0.2	0.3	0.4	0.8										
ANGULAR TOLERANCE- ±1/2°	CONCENTRICITY-Ø0.1		COLOUR	BLACK	FINISH										
REFERENCE	--	PART NO :		FS-CI0014-AA	REV AA										
ASSEMBLY	COMMON	DENSITY (g/mm ³)	DRAWN BY		DATE										
MODEL	--	MASS (kg)	CHECKED BY		DATE										
DO NOT MEASURE FROM DRAWING		THIRD ANGLE PROJECTION	APPD BY		DATE										
SCALE	3.000	TITLE	CIRCLIP NO.17		SHEET SIZE										
1		2		A4	SHEET OF 1 OF 1										

D		D	
E		E	