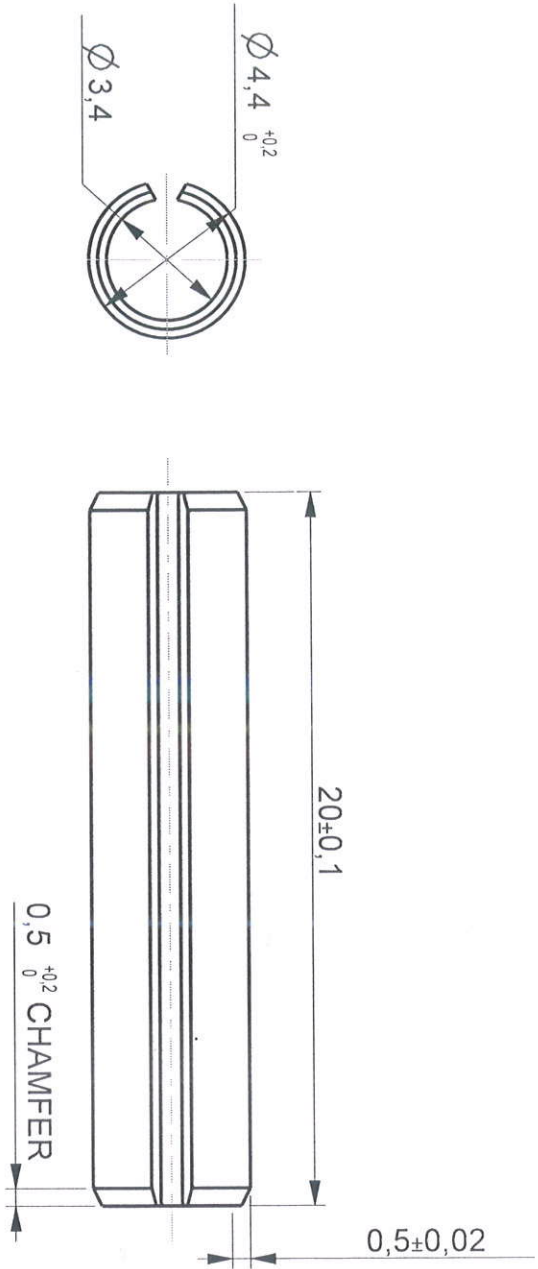


PART NO	REV
FS-C10013-AA	AA



SIDE VIEW

ELEVATION

MATING PARTS
ALUMINIUM SHAFT

NOTES
 1. ALL DIMENSIONS ARE IN MM.
 2. PART SHOULD BE FREE FROM BURRS & SHARP EDGES.
 3. DO NOT MEASURE FROM THE DRAWING.

AA	DRAWING RELEASE	--	KRS	--	
REV	DESCRIPTION OF CHANGE	LOC	BY	E.N.	DATE

ALL DIMENSIONS ARE IN MM	GENERAL TOLERANCES					MAYA APPLIANCES (P) LTD, CHENNAI-97, INDIA.				
DIMENSIONS	0.5 6	6 30	30 120	120 400	400 1000	MATERIAL	CARBON STEEL	GRADE	--	
TOLERANCES ±	0.1	0.2	0.3	0.4	0.8	COLOUR	BLACK	FINISH	HARDENED	
ANGULAR TOLERANCE- ±1/2°	CONCENTRICITY- Ø0.1									

REFERENCE	--	* CRITICAL DIMENSIONS.			PART NO :	FS-C10013-AA	REV	AA
ASSEMBLY	COMMON	DENSITY (g/lmm ³)	--	DRAWN BY				
MODEL	--	MASS (kg)	--	CHECKED BY				
DO NOT MEASURE FROM DRAWING		THIRD ANGLE PROJECTION		APPD BY				

SCALE	5.000	TITLE	SPRING PIN 4X20MM		SHEET SIZE	A4	SHEET OF	1 OF 1
-------	-------	-------	-------------------	--	------------	----	----------	--------

1 2 3