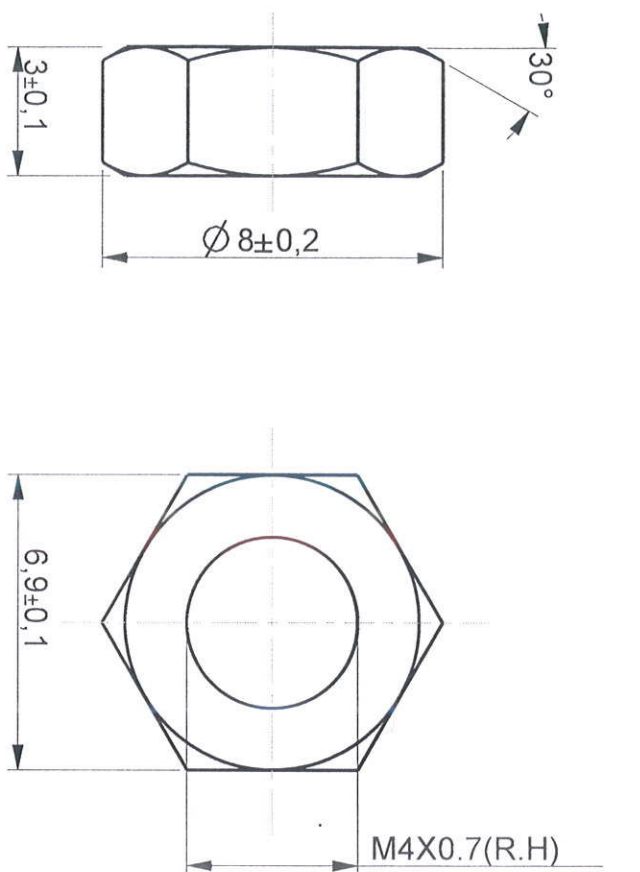


PART NO	REV
FS-C10008-AA	AA



ELEVATION

SIDE VIEW

MATING PARTS
M4 BOLTS CREW

NOTES  
 1. ALL DIMENSIONS ARE IN MM.  
 2. PART SHOULD BE FREE FROM BURRS & SHARP EDGES.  
 3. DO NOT MEASURE FROM THE DRAWING.

AA	DRAWING RELEASE	--	KRS	--	
REV	DESCRIPTION OF CHANGE	LOC	BY	E.N.	DATE

ALL DIMENSIONS ARE IN MM		GENERAL TOLERANCES				ALL RIGHTS RESERVED <b>MAYA APPLIANCES (P) LTD,</b> CHENNAI-97, INDIA.			
DIMENSIONS	0.5 6	6 30	30 120	120 400	400 1000				
TOLERANCES ±	0.1	0.2	0.3	0.4	0.8	MATERIAL	SS	GRADE	304
ANGULAR TOLERANCE- ±1/2°		CONCENTRICITY- Ø0.1				COLOUR	NATURAL	FINISH	POLISHED

REFERENCE	--	* CRITICAL DIMENSIONS.		PART NO : FS-C10008-AA		REV	AA
ASSEMBLY	COMMON	DENSITY (g/mm <sup>3</sup> )	--	DRAWN BY		DATE	
MODEL	--	MASS (kg)	--	CHECKED BY	<i>A-J-09</i>	DATE	<i>20-1-23</i>
DO NOT MEASURE FROM DRAWING		THIRD ANGLE PROJECTION		APPD BY	<i>Kpraveen</i>	DATE	<i>23/1/23</i>

SCALE	6.000	TITLE	NUT M4-SS	SHEET SIZE	A4	SHEET OF	1 OF 1
-------	-------	-------	-----------	------------	----	----------	--------