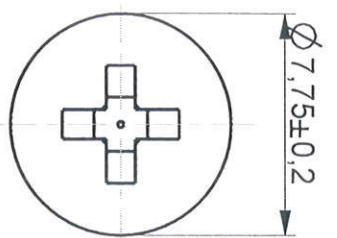
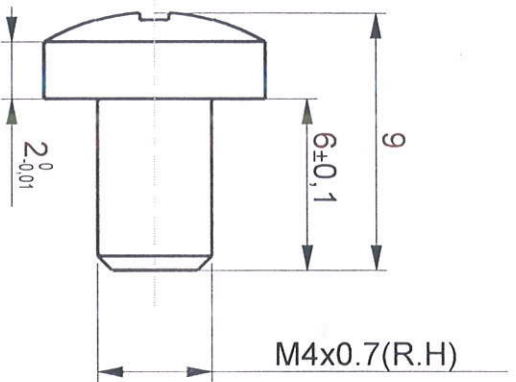


1 2 3

PART NO	REV
FS-CI00006-AA	A



PLAN



SIDE VIEW

MATING PARTS
BANDY PIPE
MIXING TUBE

NOTES
 1. ALL DIMENSIONS ARE IN MM.
 2. PART SHOULD BE FREE FROM BURRS & SHARP EDGES.
 3. DO NOT MEASURE FROM THE DRAWING.

A	DRAWING RELEASE	-	BSB	--	28-06-2014
REV	DESCRIPTION OF CHANGE	LOC	BY	E.N.	DATE

ALL RIGHTS RESERVED
MAYA APPLIANCES (P) LTD,
 CHENNAI-97,
 INDIA.

ALL DIMENSIONS ARE IN MM	GENERAL TOLERANCES					MATERIAL	SS	GRADE	304
DIMENSIONS	0.5 6	6 30	30 120	120 400	400 1000				
TOLERANCES ±	0.1	0.2	0.3	0.4	0.8				
ANGULAR TOLERANCE- ±1/2°	CONCENTRICITY- Ø0.1					COLOUR	NATURAL	FINISH	POLISHED

REFERENCE	--	* CRITICAL DIMENSIONS.	PART NO : FS-CI0006-AA		REV	A
ASSEMBLY	GAS STOVE	DENSITY (g/mm ³)	--	DRAWN BY	BSB	DATE
MODEL	--	MASS (kg)	--	CHECKED BY	<i>A.S. 98</i>	DATE
DO NOT MEASURE FROM DRAWING		THIRD ANGLE PROJECTION		APPD BY	<i>[Signature]</i>	DATE

SCALE	4.000	TITLE	SS SCREW M4X6	SHEET SIZE	A4	SHEET OF	1 OF 1
-------	-------	-------	---------------	------------	----	----------	--------

1 2 3