

1

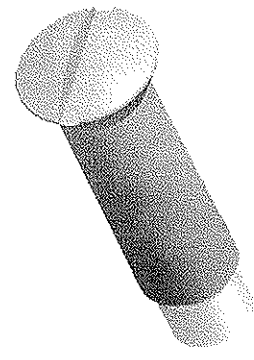
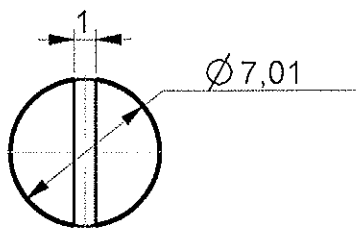
2

3

<b>PART NO</b>	<b>REV</b>
CM-WG0129-AA	AA

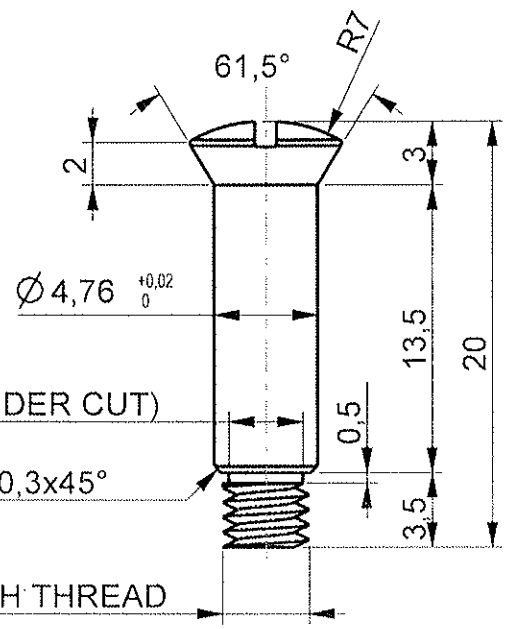
A

A



B

B



MATING PARTS
ALU.CEN.SHAFT
SQ.SHAFT

C

C

AA	DRAWING RELEASE	--	KRS	--	
REV	DESCRIPTION OF CHANGE	LOC	BY	E.N.	DATE

D

D

ALL DIMENSIONS ARE IN MM	GENERAL TOLERANCES					ALL RIGHTS RESERVED <b>MAYA APPLIANCES (P) LTD,</b> CHENNAI-97, INDIA.			
DIMENSIONS	0.5 6	6 30	30 120	120 400	400 1000	MATERIAL	MS	GRADE	--
TOLERANCES ±	0.1	0.2	0.3	0.4	0.8	COLOUR	GREEN	FINISH	PASSIVATION
ANGULAR TOLERANCE- ±1/2°	CONCENTRICITY- Ø0.1		MATERIAL		MS	GRADE	--		

E

E

REFERENCE	--	* CRITICAL DIMENSIONS.		PART NO : CM-WG0129-AA		REV	AA
ASSEMBLY	WG	DENSITY (g/mm <sup>3</sup> )	--	DRAWN BY		DATE	
MODEL	PC,SS,ST	MASS (kg)	--	CHECKED BY	<i>A.S. 20</i>	DATE	28.4.23
DO NOT MEASURE FROM DRAWING REMOVE BURRS & SHARP EDGES		THIRD ANGLE PROJECTION		APPD BY		DATE	
SCALE	3.000	TITLE		SCREW CSK STEP DIA 4.8-MS		SHEET SIZE	A4
						SHEET OF	1 OF 1

1

2

3