

1

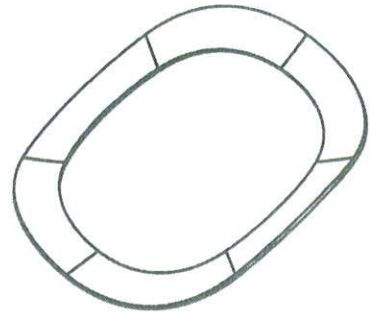
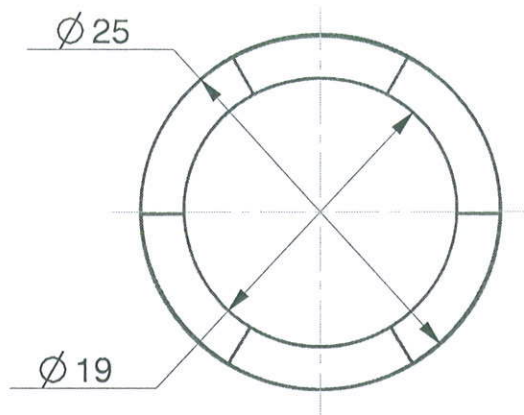
2

3

PART NO	REV
CM-WG0054-AA	AA

A

A



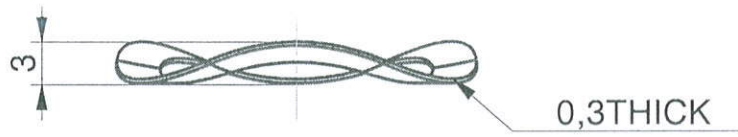
TOP VIEW

B

B

C

C



FRONT VIEW

MATING PARTS
BEARING
TOP CASING

AA	DRAWING RELEASE	-	KRS	--	
REV	DESCRIPTION OF CHANGE	LOC	BY	E.N.	DATE

D

D

ALL DIMENSIONS ARE IN MM	GENERAL TOLERANCES					ALL RIGHTS RESERVED MAYA APPLIANCES (P) LTD, CHENNAI-97, INDIA.			
DIMENSIONS	0.5 6	6 30	30 120	120 400	400 1000	MATERIAL	SPRING STEEL	GRADE	--
TOLERANCES ±	0.1	0.2	0.3	0.4	0.8	COLOUR	BLACK	FINISH	HARDENED

E

E

REFERENCE	-	* CRITICAL DIMENSIONS.		PART NO : CM-WG0054-AA		REV	AA	
ASSEMBLY	I.M.90W	DENSITY (g/mm ³)	--	DRAWN BY		DATE		
MODEL	WG	MASS (kg)	--	CHECKED BY	<i>[Signature]</i>	DATE	28-4-23	
DO NOT MEASURE FROM DRAWING REMOVE BURRS & SHARP EDGES		THIRD ANGLE PROJECTION		APPD BY	<i>[Signature]</i>	DATE	21/5/23	
SCALE	1.000	TITLE				WAVE WASHER OD19 ID25 IM90	SHEET SIZE A4	SHEET OF 1 OF 1

1

2

3