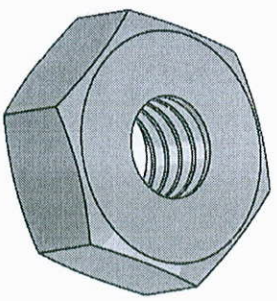
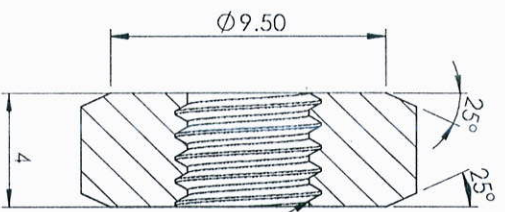


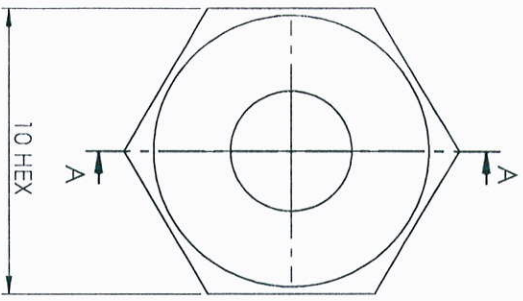
PART NO	REV
CM-MG0689-AA	A



ISOMETRIC VIEW



M5X0.8 LH THD



TOP VIEW

SECTION A-A
SCALE 4 : 1

REV	A	DESCRIPTION OF CHANGE	LOC	BY	E.N	DATE
REV	A	DRAWING RELEASE	--	M.KASI	--	11-11-20
ALL DIMENSIONS ARE IN "mm"		GENERAL TOLERANCES		MATERIAL		
DIMENSIONS	0.5	6	30	120	400	800
TOLERANCES	±	0.1	0.2	0.3	0.4	0.8
ANGULAR TOLERANCES	±1/2°	CONCENTRICITY-φ		0.1		
REFERENCE	--	CRITICAL DIMENSIONS		PART NO. CM-MG0689-AA		
ASSEMBLY	AIRC	DENSITY (g/mm ³)	--	DRAWING	M.KASI	DATE
MODEL	--	MASS (kg)	--	THICKNESS	9.58	DATE
THIRD ANGLE PROJECTION		APPROV		DATE		
SCALE 20:1		TITLE		MS HEX NUT - LH THD		
SHEET SIZE		SHEET NO		SHEET 1 OF 1		

APPROV
M.KASI
DATE 28-4-23
215/03

ALL RIGHTS RESERVED
MAVA APPLIANCES/P LTD,
CHENNAI-97
INDIA