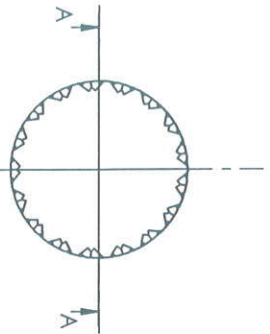


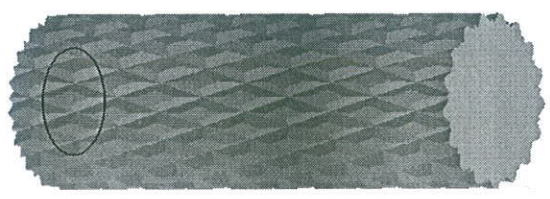
PART NO	REV
CM-MG0622-AA	A



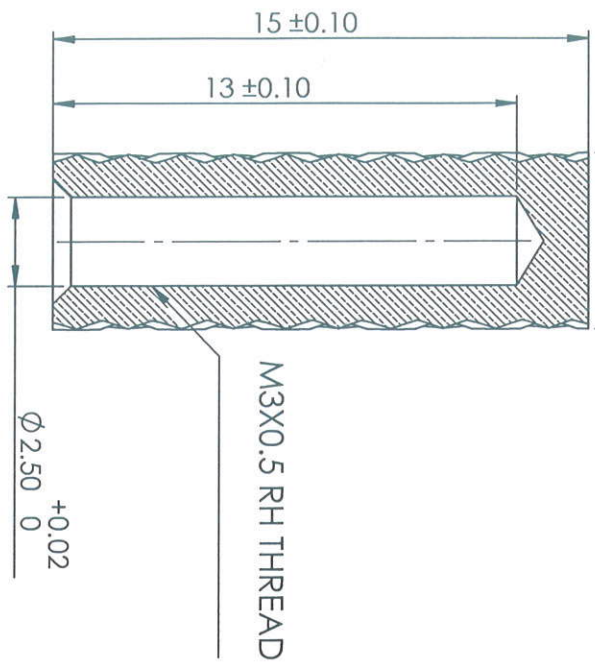
TOP VIEW

$\phi 4.95$
+0.05
0

BOTTOM CLOSED



ISOMETRIC VIEW



SECTION A-A
SCALE 5 : 1

REV	DRAWING RELEASE	LOC	BY	E.N.	DATE
A		--	--	--	16-8-23

ALL DIMENSIONS ARE IN "mm"
GENERAL TOLERANCES

DIMENSIONS	0.5/6	6/30	30/120	120/400	400/1000
TOLERANCES ±	0.1	0.2	0.3	0.4	0.8

ANGULAR TOLERANCES ±1/2
CONCENTRICITY- ϕ 0.1

ALL RIGHTS RESERVED
MAYA APPLIANCES(P) LTD,
CHENNAI-97
INDIA.

REFERENCE	--	* CRITICAL DIMENSIONS	PART NO:	CM-MG0622-AA	REV	A
-----------	----	-----------------------	----------	--------------	-----	---

ASSEMBLY	MG	DENSITY (g/mm ³)	DRAWN BY	ANAND	DATE	6-6-24
----------	----	------------------------------	----------	-------	------	--------

MODEL	--	MASS (Kg)	CHECKED BY	<i>[Signature]</i>	DATE	<i>6/6/24</i>
-------	----	-----------	------------	--------------------	------	---------------

DO NOT MEASURE FROM DRAWING REMOVE BURRS & SHARP EDGES	THIRD ANGLE PROJECTION	APPD BY	<i>[Signature]</i>	DATE	<i>6/19/24</i>
--	------------------------	---------	--------------------	------	----------------

SCALE:4.5:1	TITLE	INSERT BRASS M5X10(DIAMOND KNURLING)	SHEET SIZE	A4	SHEET 1 OF 1
-------------	-------	--------------------------------------	------------	----	--------------